

ACCESSORY SETUP INSTRUCTION

WIPER ASSEMBLY -- PN: 5HYV-805600-1K01

VALID FOR: MY24 UFORCE 1000/UFORCE 1000 XL

BEFORE YOU BEGIN: Read and understand the instructions before starting any work. Make sure that all parts are ready and that you have all the tools required for assembly.

NOTE: CFMOTO shall not be liable for any damage caused by incorrect assembly. CFMOTO recommends that all original accessories be assembled by an authorized CFMOTO dealer.

Before assembly, park the vehicle on a flat surface, put the transmission gear into Park (P) and turn off the key switch.

Zhejiang CFMOTO Power Co., Ltd. All rights reserved. Reproduction of this document, even in part, as well as copying of all kinds, is permitted only with the express written permission of the copyright owner.

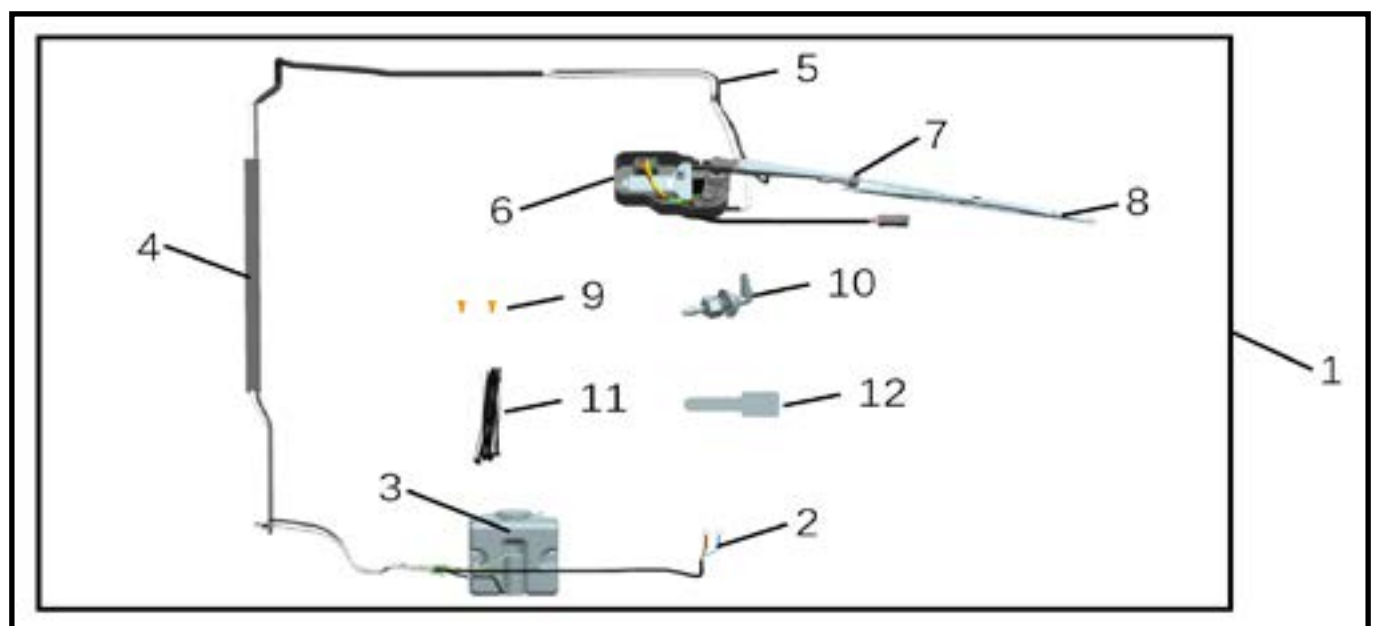
MEANING OF SYMBOLS

i - Indicates information with more details or tips.

! - Indicates information of warning or danger.

PARTS LIST:

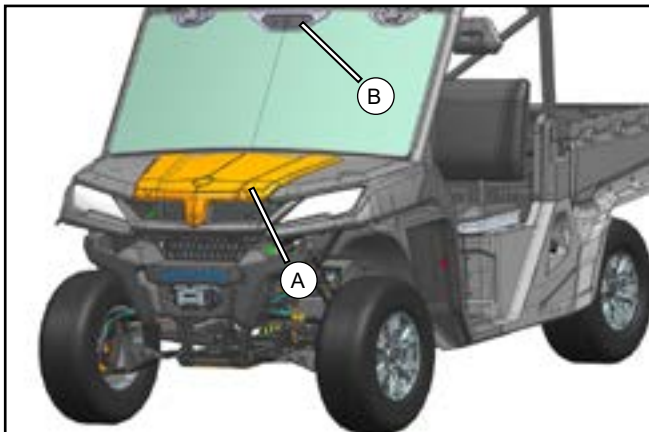
ITEM	PART NAME	PART NUMBER	QTY.	DISCRIPTION
1	WIPER ASSEMBLY	5HYV-805600-1K01	1	For structure reference only
2	MAIN CABLE ASSEMBLY	5HYV-805630-1K00	1	
3	WATER BOTTLE ASSEMBLY	5HYV-805620-1K00	1	
4	WIRE DUCT	5HYV-805602-1K00	1	
5	HOSE	5HYV-805606-1K00	1	
6	WIPER MOTOR ASSEMBLY	5HYV-805610-1K00	1	
7	WIPER ARM	5HYV-805603-1K00	1	
8	WIPER BLADE	5HYV-805601-1K00	1	
9	BOLT M6×16	30006-060016870	2	
10	ADAPTER NOZZLE	5HYV-805605-1K00	1	
11	TIE BAND	8010-150003	10	
12	CABLE TAPE	5HYV-805600-1K00-21	1	



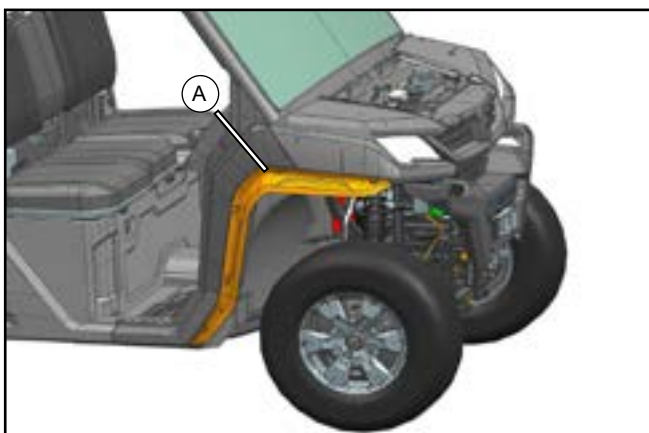
TOOL LIST:

ITEM	DESCRIPTION	QTY.	DESCRIPTION
1	PROTECTIVE GLOVES	1	Recommended tools, which are not included in the package.
2	ELECTRIC WRENCH	1	
3	SOCKET S10	1	
4	SOCKET S13	1	
5	SOCKET S22	1	
6	DIAGONAL CUTTING PLIERS	1	
7	HEXAGON BIT TX30	1	

ASSEMBLY and INSTALLATION

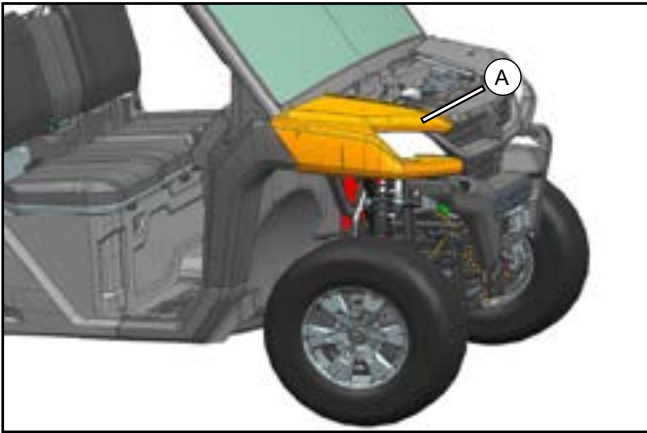


// Remove the front middle panel (A) and the rubber plug (B).

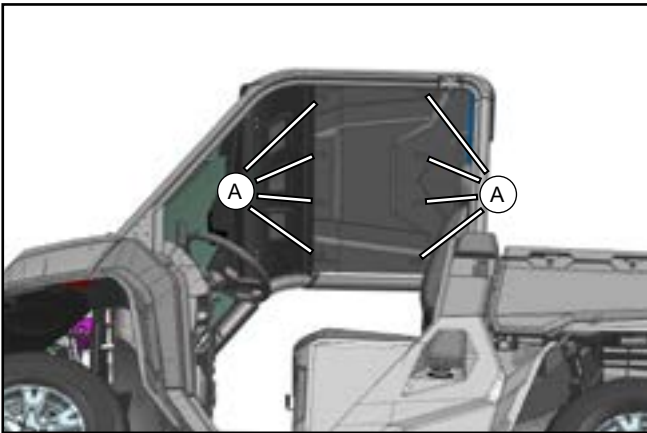


// Remove the passenger side front extended fender (A).

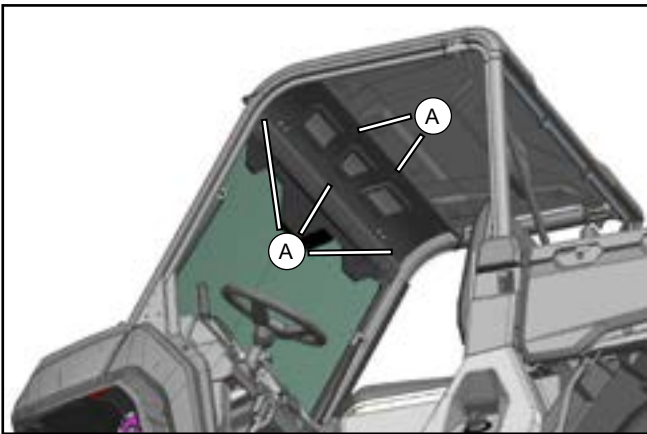
ASSEMBLY and INSTALLATION



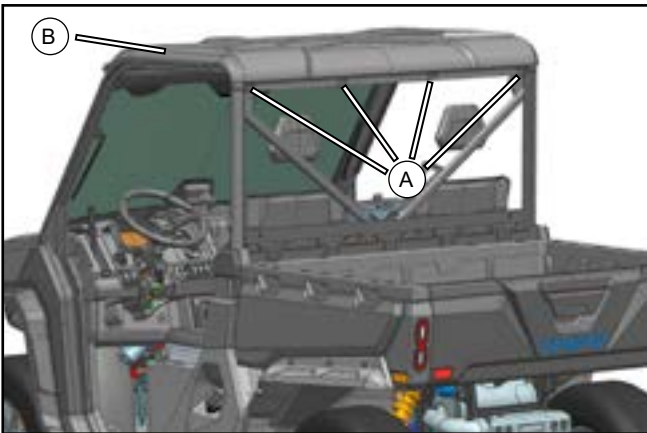
// Remove the passenger side front panel (A).



// Remove the fixed bolts (A) between the felt and the top roof.

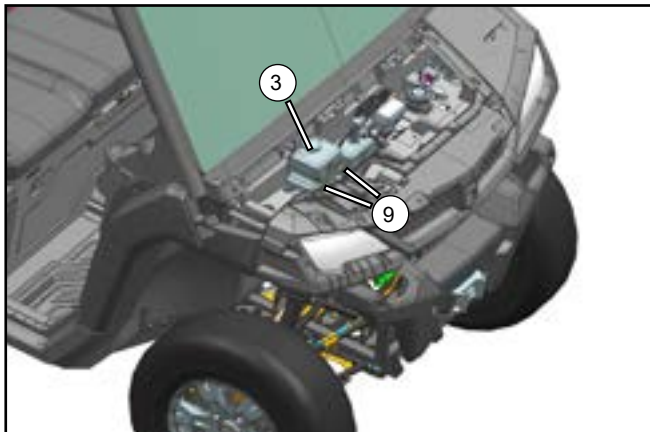


// Removed the fixed bolts (A) from the top roof.

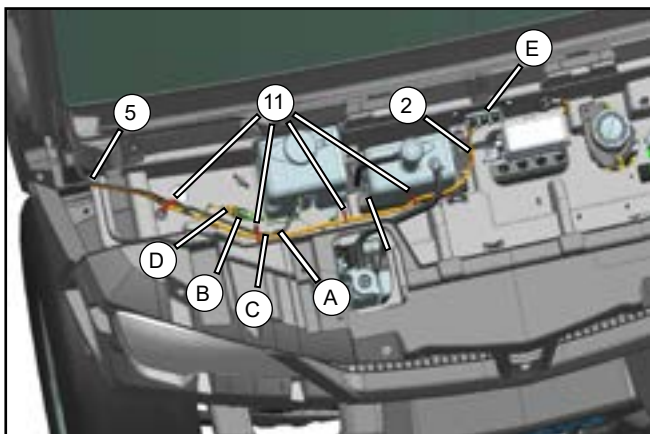


// Remove the fixed bolts (A) from the top roof. Then remove the top roof (B).

ASSEMBLY and INSTALLATION

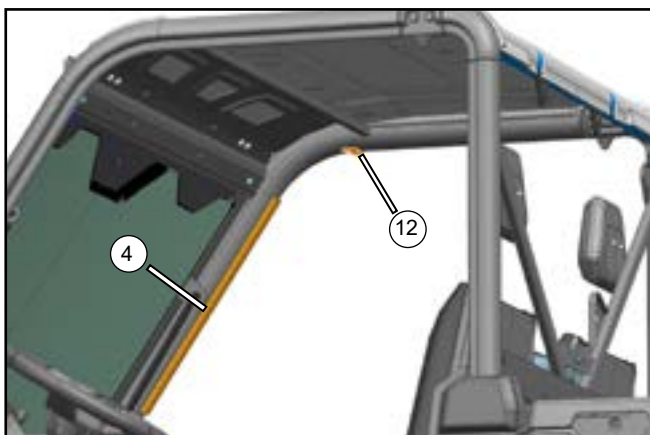


// Place the water bottle assembly (3) on the assembly position and secure it with bolts M6×16 (9).

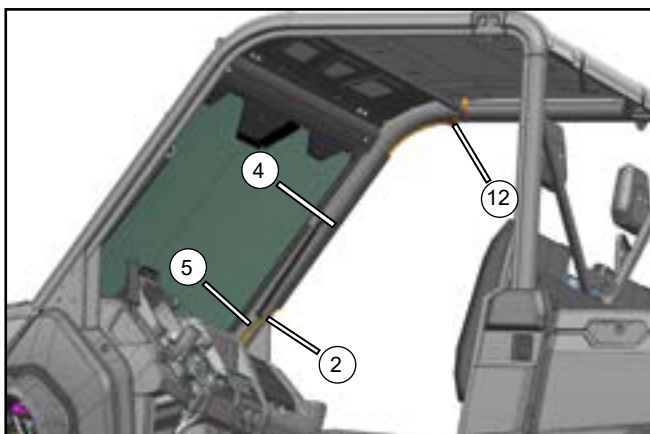


// Connect one end of the main cable assembly (2) to the extension power assembly (E). Then plug the terminal (D) into the water bottle assembly terminal (B). Plug the hose connector (C) into the water bottle assembly connector (A) with lubricant. Secure them with the tie band (11) after neat wiring.

i - When connecting the main cable assembly with the extension power assembly, connect the positive electrode to the ACC terminal, and connect the negative electrode to the B-terminal. First, connect the negative electrode and then connect the positive electrode.

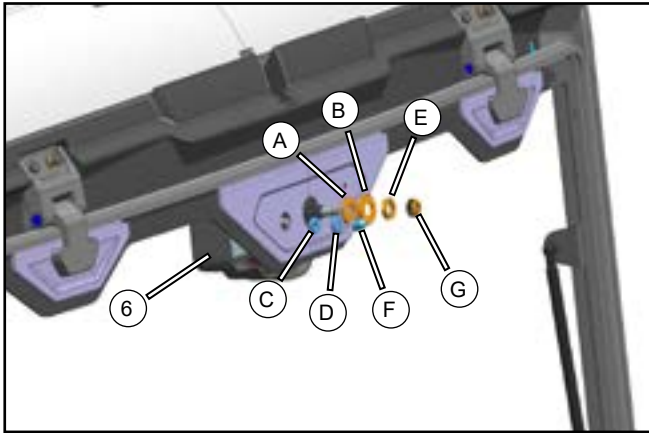


// Paste the wire duct (4) and the cable tape (12) on the assembly position of the passenger side beam.



// The main cable assembly (2) and the hose (5) are routed along the passenger side beam. Pass them through the wire duct (4) and fix them with the cable tape (12). Then pass them through the reserved hole on the right side of the felt.

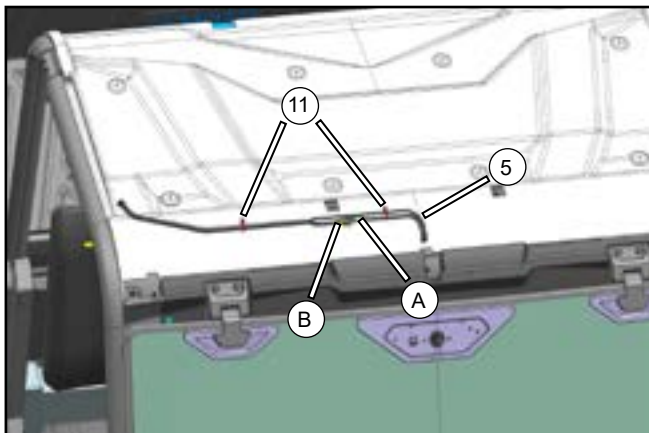
ASSEMBLY and INSTALLATION



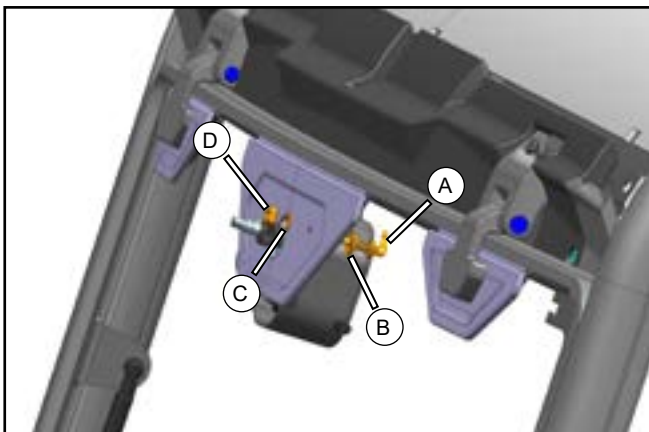
// Place the wiper motor assembly (6) into the assembly position of the front windshield. Install the gasket (A), gasket (B), gasket (C), and gasket (D) in order with the bolts (E), (F) tightened. Then install the stopper nut (G).



// Pass the wiper motor assembly harness (A) through the reserved hole in the front of the felt.

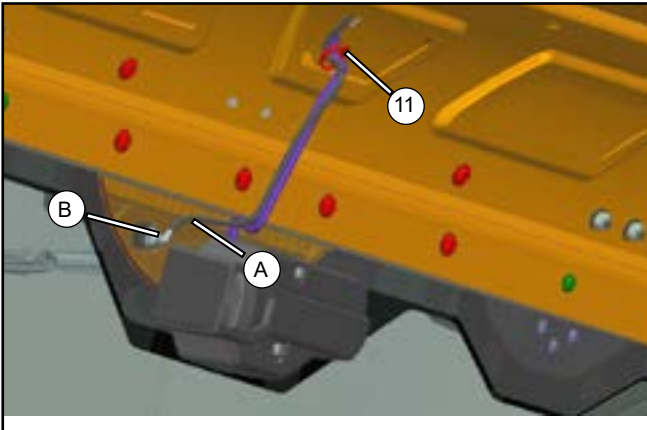


// Plug the terminal (A) of the wiper motor assembly into the terminal (B) of the main cable assembly. Pass the hose (5) through the reserved hole in the front of the felt. Secure them with the tie band (11) after neat wiring.

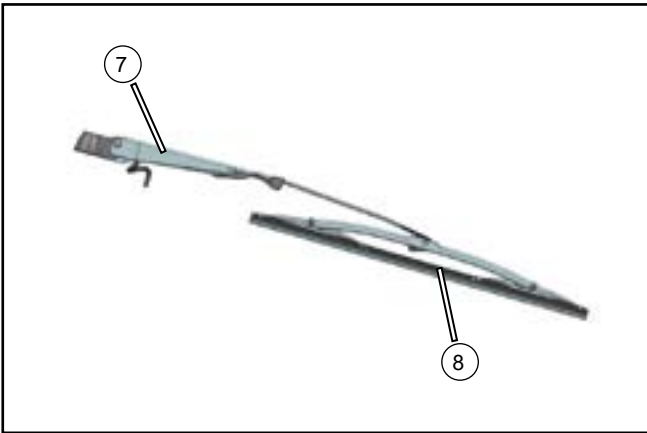


// Place the adapter nozzle (A) and the gasket (B) into the assembly position of the front windshield. Install the gasket (C) and tighten it with the nut (D).

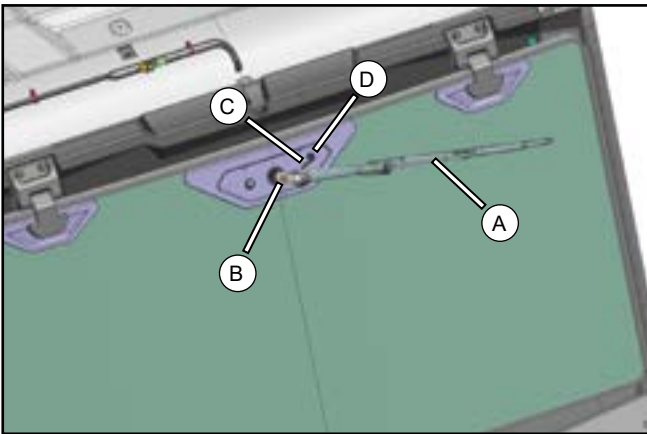
ASSEMBLY and INSTALLATION



// After using the lubricant, plug the hose connector (A) into the hose connector (B), and secure them with the tie band (11) after neat wiring.



// Assemble the wiper arm (7) and the wiper blade (8).



// Place the wiper assembly (A) into the assembly position of the front windshield, and pre-tighten it with the nut (B). Plug the wiper assembly connector (C) into the adapter nozzle (D). Inject the windshield water fluid into the water bottle, and turn on the power supply. Inspect the wiper for normal work, and adjust the mounting angle of the wiper assembly. After confirmation, turn off the power supply, and tighten it with the nut (B). After the installation, reinstall the vehicle parts according to the above steps.