

ACCESSORY SETUP INSTRUCTIONS

LH &RH SIDE FRONT DOOR ASSEMBLY-- PN: 5SYV-807300-6000, 5SYV-807400-6000

VALID FOR: 2023 CF1000UU-2


BEFORE YOU BEGIN: Read and understand the instructions before starting any work. Make sure that all parts are ready and that you have all the tools required for assembly.


NOTE: CFMOTO shall not be liable for any damage caused by incorrect assembly. CFMOTO recommends that all original accessories be assembled by an authorized CFMOTO dealer.

Before assembly, park the vehicle on a flat surface, put the transmission gear into Park (P) and turn off the key switch.

Zhejiang CFMOTO Power Co., Ltd. All rights reserved. Reproduction of this document, even in part, as well as copying of all kinds, is permitted only with the express written permission of the copyright owner.

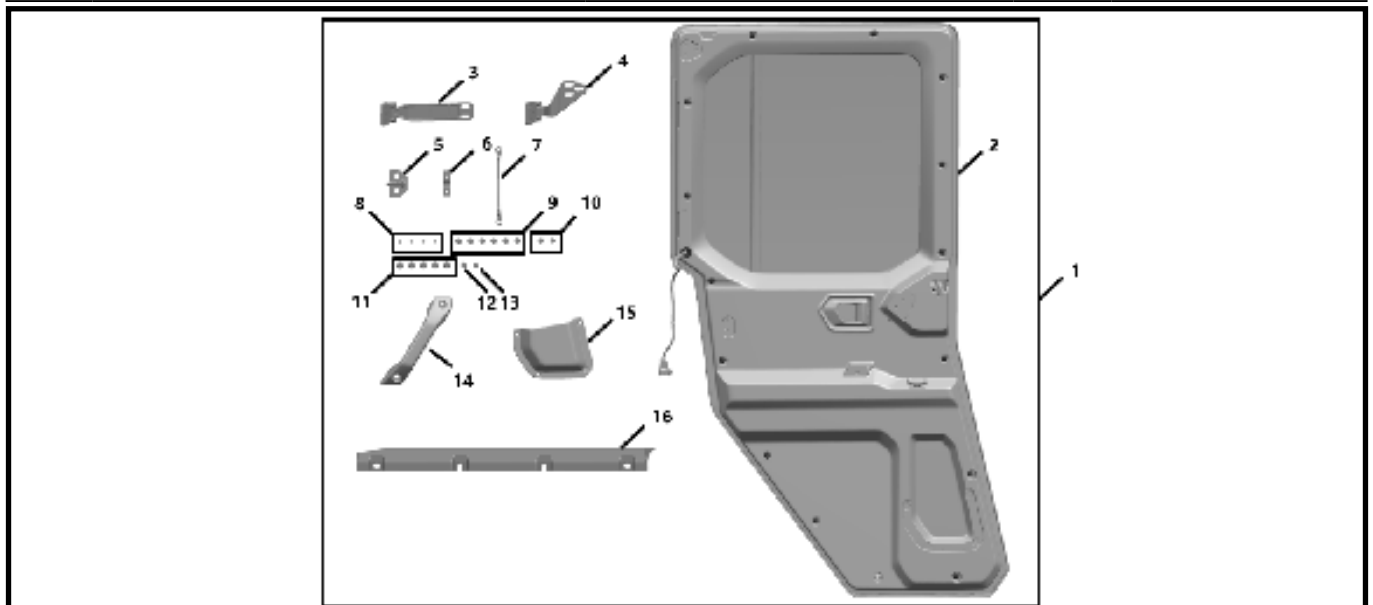
MEANING OF SYMBOLS

 - Indicates information with more details or tips.

 - Indicates information of warning or danger.

PARTS LIST:

| ITEM | PART NAME | PART NUMBER | QTY. | REMARK |
|------|--|-----------------------------------|------|--------|
| 1 | LH & RH REAR DOOR ASSEMBLY | 5SYV-807300-6000&5SYV-807400-6000 | 1&1 | |
| 2 | LH & RH REAR DOOR ASSY | 5SY0-376000-6000&5SY0-378000-6000 | 1&1 | |
| 3 | LH & RH LOWER TRIPLE CLAMP ASSY | 5HY#-374500-1001&5HY#-374600-1001 | 1&1 | |
| 4 | LH & RH REAR UPPER HINGE ASSY | 5SY0-375500-6001&5SY0-377500-6001 | 1&1 | |
| 5 | REAR DOOR FASTENER ASSY | 5SY0-376320-6000 | 1&1 | |
| 6 | BUCKLE BRACKET ASSY | 5SY0-376340-6000 | 1&1 | |
| 7 | LIMITING CABLE ASSY | 5HY#-372050-1000 | 1&1 | |
| 8 | SELF-TAPPING SCREW ST4.8×16 | 6L30-221142 | 4&4 | |
| 9 | INNER HEXAGON COUNTER-SUNK SCREW M8×16 | 30122-080016870 | 6&6 | |
| 10 | INNER HEX BOLT | 5BW2-040008-5000 | 2&2 | |
| 11 | HEXAGON FLANGE BOLT M8×16 | 30006-080016870 | 5&5 | |
| 12 | STEPED BOLT M6×17 | 8010-000005 | 1&1 | |
| 13 | STEPED BOLT M6×22 | 8010-040038 | 1&1 | |
| 14 | LH & RH DOOR INSIDE ARMREST | 5SY0-372026-6000&5SY0-374026-6000 | 1&1 | |
| 15 | LH & RH REAR DOOR GLOVE BOX COVER | 5SY0-376028-6000&5SY0-378028-6000 | 1&1 | |
| 16 | LH&RH REAR SIDE DOOR SEALING BAFFLE | 5SY0-230801-6003&5SY0-230802-6003 | 1&1 | |



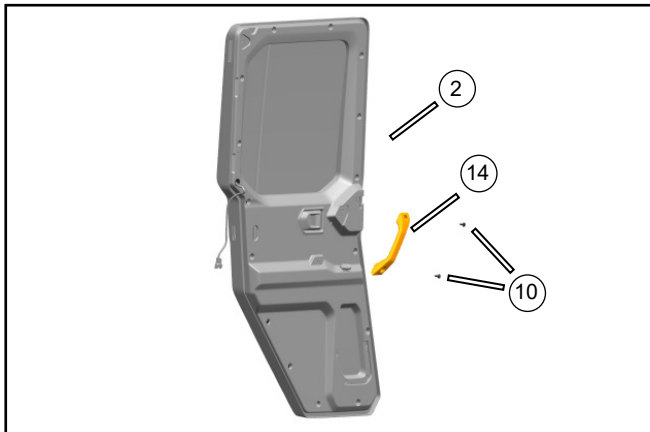


ACCESSORY SETUP INSTRUCTIONS

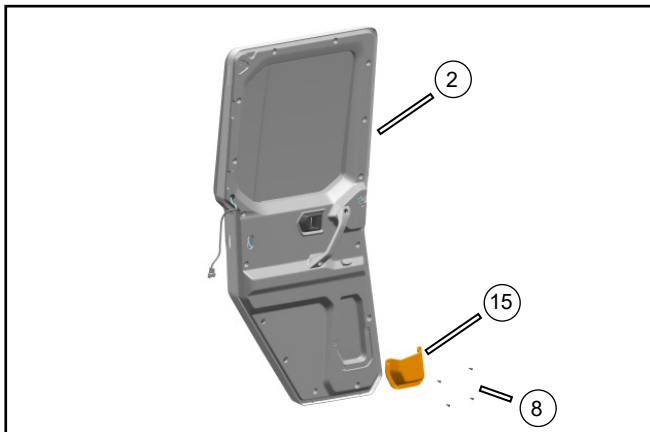
LH &RH SIDE FRONT DOOR ASSEMBLY -- PN: 5SYV-807300-6000, 5SYV-807400-6000
VALID FOR: 2023 CF1000UU-2

TOOL LIST:

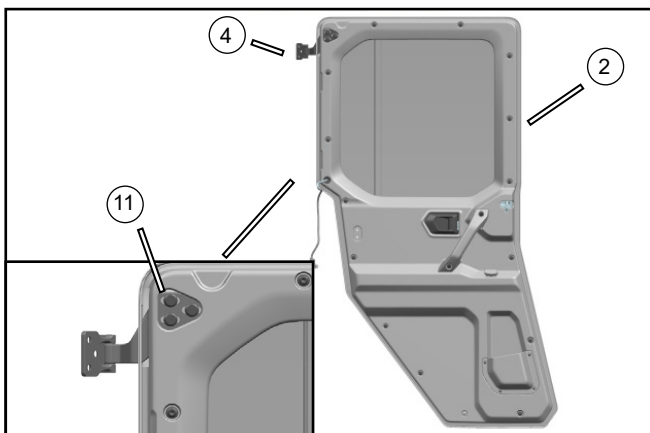
| ITEM | DESCRIPTION | QTY. | REMARK |
|------|---------------------------|------|---|
| 1 | HEXAGON KEY 4s | 1 | Recommended tools, which are not included in the package. |
| 2 | PHILLIPS SCREWDRIVER | 1 | |
| 3 | HEXAGON KEY 6s | 1 | |
| 4 | ELECTRIC DRILL | 1 | |
| 5 | STAINLESS STEEL DRILL 8mm | 1 | |
| 6 | PROTECTIVE GLOVES | 1 | |

ASSEMBLY AND INSTALLTION


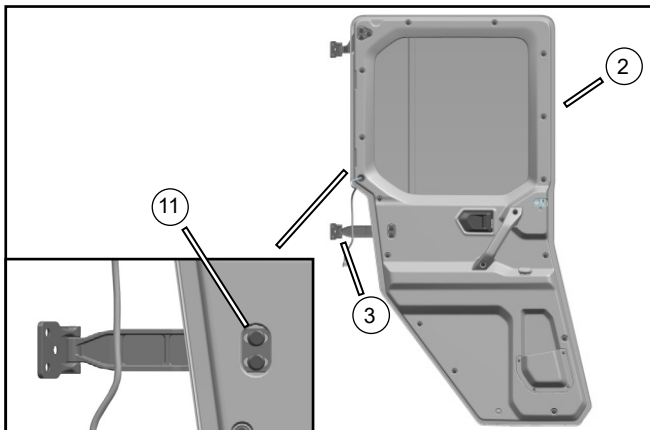
// Use the inner hexagon bolt M6×20 (10) to mount the LH & RH inside armrest (14) on the LH & RH rear door assy (2).



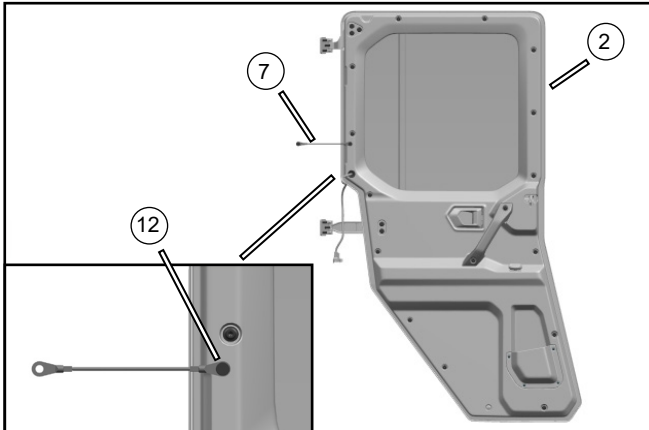
// Use the self-tapping screw ST4.8×16 (8) to mount the LH & RH rear door glove box cover (15) on the LH & RH rear door assy (2).



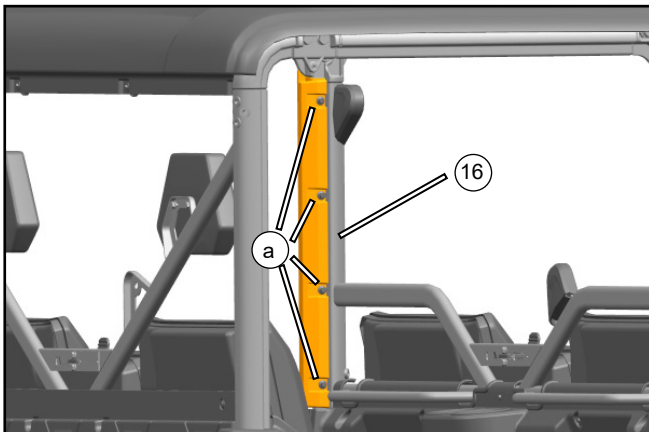
// Finger-tighten the hexagon flange bolt M8×16 (11) to secure the LH/RH rear upper hinge assy (4) on the LH/RH rear door assy (2).



// Finger-tighten the hexagon flange bolt M8×16 (11) to secure the LH/RH lower triple clamp assy (3) on the LH/RH rear door assy (2).

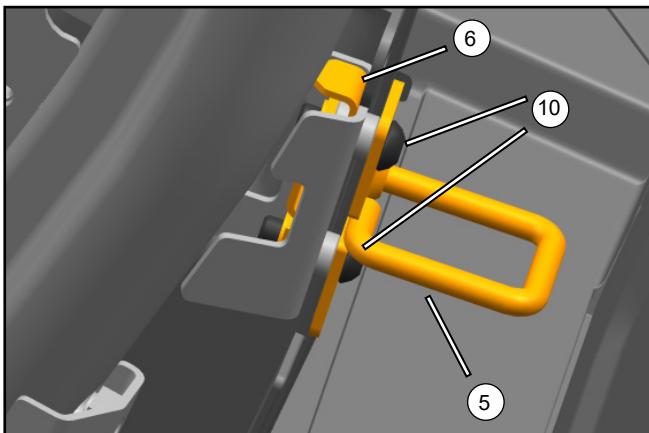
ASSEMBLY AND INSTALLTION


// Use the stepped bolt M6×17 (12) to mount the limiting cable assy (7) on the LH/RH rear door assy (2).



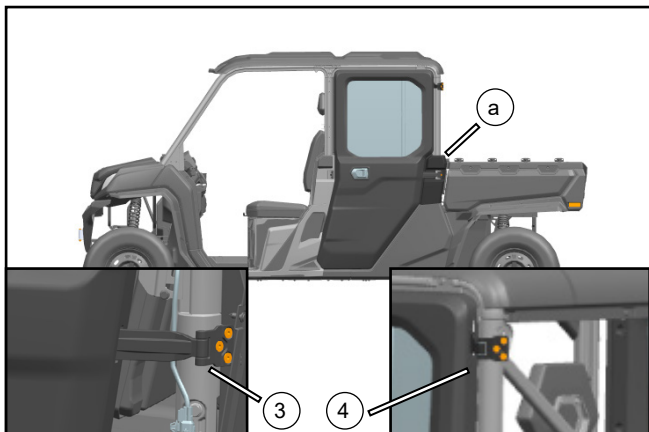
// Place the LH/RH seal baffle (16) in the assembly area, use the hex stepped bolt M6×14 (a) to finger-tighten it.

i The left side assembly as shown, the right side has the same way to assmble.



// Place the rear door fastener assy (5) and buckle bracket assy (6) in the assembly area, use the inner hex screw (10) to mount them on the vehicle body.

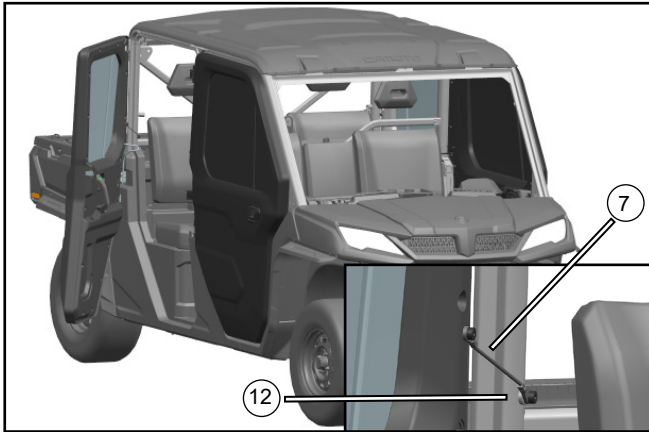
i Both sides share the same method to assemble. Place the buckle bracket as shown.



// Place the LH/RH side door assy in the frame area, pass the lower hinge through the plate (a) hole, secure the bolt of the upper hinge (4) and lower hinge (3), at last mount the plate (a) on the vehicle body.

i Both sides share the same way to assemble. Adjust the lock and clearance around then secure the hinge bolt.

ASSEMBLY AND INSTALLTION



// Open the gate, use the stepped bolt M6×17 (12) to mount the limiting cable assy (7) on the frame. Connect the reserved wire plug of the electric lift door and the reserved wire plug of the vehicle body.

i Two sides share the same method to assemble.