

# ACCESSORY SETUP INSTRUCTION

## HEATING SYSTEM ASSEMBLY-- PN: 5HYR-802000-1K00, 5SYB-802000-6A00

VALID FOR: 2024 CF1000UU

**BEFORE YOU BEGIN:** Read and understand the instructions before starting any work. Make sure that all parts are ready and that you have all the tools required for assembly.

**NOTE:** CFMOTO shall not be liable for any damage caused by incorrect assembly. CFMOTO recommends that all original accessories be assembled by an authorized CFMOTO dealer

Before assembly, park the vehicle on a flat surface, put the transmission gear into Park (P) and turn off the key switch.

**Zhejiang CFMOTO Power Co., Ltd.** All rights reserved. Reproduction of this document, even in part, as well as copying of all kinds, is permitted only with the express written permission of the copyright owner.

## MEANING OF SYMBOLS



- Indicates information with more details or tips.



- Indicates information of warning or danger.

## PARTS LIST:

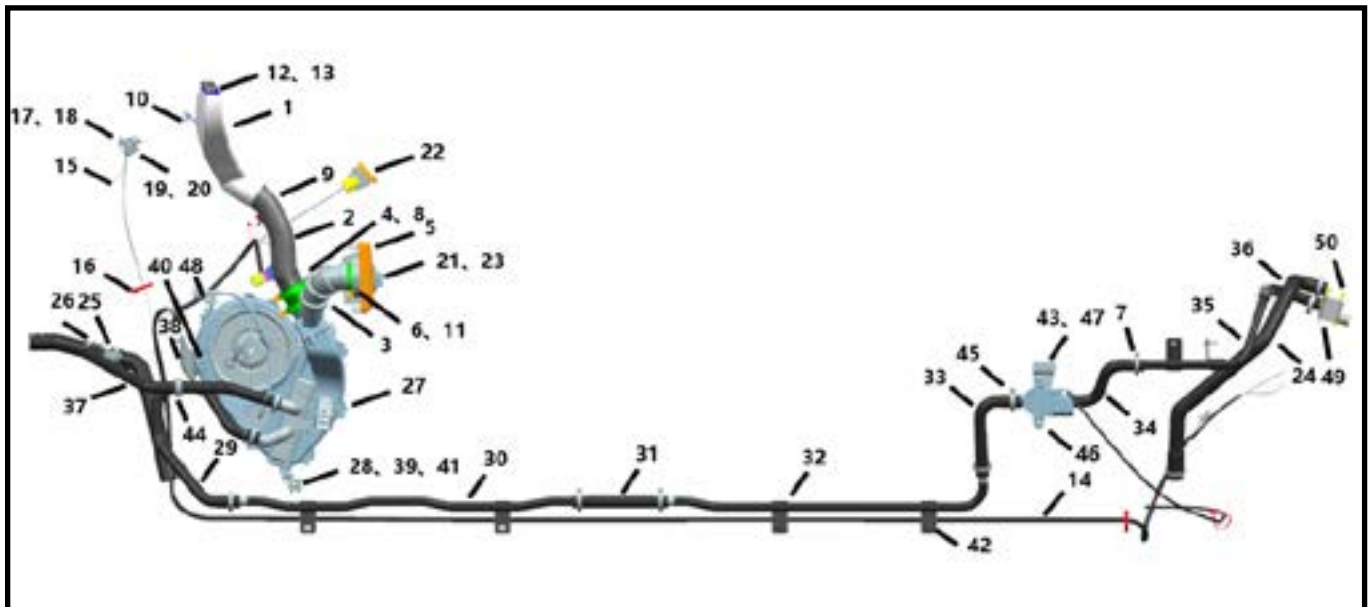
ITEM	PART NAME	PART NUMBER	QTY.	DESCRIPTION
1	AIR LINE	5HYR-350029-1K00	1&1	
2	AIR HEATER PIPE	5HYR-350027-1K00	1&1	
3	AIR HEATER OUTLET PIPE	5HYR-350026-1K00	2&2	
4	AIR HEATER PIPE CONNECTOR	5HYR-350028-1K00	1&1	
5	AIR HEATER OUTLET PANEL	5HYR-350025-1K00	1&1	
6	OUTLET	5HYR-350031-1K00	2&2	
7	CLAMP	30603-060000	2&2	
8	A-TYPE SCREW CLAMP	9010-000105	2&2	
9	BOLT	8010-000004	1&1	
10	SELF-TAPPING SCREW	30110-480160010	2&2	
11	FRONT OUTLET TAPE	5HYR-043090-1K00	2&2	
12	DRIVER SIDE FRONT OUTLET	5HY0-043023-10000	1&1	
13	PASSENGER SIDE FRONT OUTLET	5HY0-043024-10000	1&1	
14	HEATING CABLE	5HYR-150110-1K01	1&1	
15	WIRE CLIP	0180-014010	1&1	
16	TIE BAND	8010-150003	3&3	
17	EXTENSION POWER TERMINAL	5BWV-156905-5000-M1	1&1	
18	EXTENSION POWER TERMINAL CAP	5BWV-156906-5000-M1	1&1	
19	NUT CLIP M6	8030-040800-00001	2&2	
20	BOLT	30006-060025810	2&2	
21	HEATING TEMPERATURE SWITCH	5HYR-169490-1K00	1&1	
22	HEATING SWITCH	5BWV-152000-5001	1&1	
23	SELF-TAPPING SCREW	30110-480130010	3&3	
24	ENGINE OUTLET PIPE	5HYR-182060-1K00	1&1	
25	T-JOINT	5ASV-350007-5000	1&1	
26	WATER HOSE CLAMP	9010-180007	2&2	
27	HEATER ASSEMBLY	5HYR-351100-1K00	1&1	
28	INNER HEXAGON BOLT M6x20	5BWV-040007-5000	2&2	
29	HEATING INLET PIPE 1	5HYR-352101-1K00	1&1	
30	HEATING INLET PIPE 2	5SYB-352102-6A00	0&1	Specilized for two-row vehicle

## ACCESSORY SETUP INSTRUCTION

**HEATING SYSTEM ASSEMBLY-- PN: 5HYR-802000-1K00, 5SYB-802000-6A00**

**VALID FOR: 2024 CF1000UU**

ITEM	PART NAME	PART NUMBER	QTY.	DESCRIPTION
31	AIR HEATER INLET PIPE 3	5SYB-352103-6A00	0&1	Specilized for two-row vehicle
32	AIR HEATER INLET PIPE 4	5HYR-352104-1K01	1&1	
33	AIR HEATER INLET PIPE 5	5HYR-352105-1K00	1&1	
34	AIR HEATER INLET PIPE 6	5HYR-352106-1K00	1&1	
35	AIR HEATER INLET PIPE 7	5HYR-352107-1K01	1&1	
36	AIR HEATER INLET PIPE 8	5HYR-352108-1K00	1&1	
37	AIR HEATER OUTLET PIPE	5HYR-352200-1K00	1&1	
38	HEATER UPPER BRACKET	5HYR-351110-1K00	1&1	
39	HEATER LOWER BRACKET	5HYR-351120-1K00	1&1	
40	WASHER	30301-060412	2&2	
41	NUT	30200-060810	4&4	
42	BOLT	30006-060020810	5&7	
43	SCREW ASSY	30112-060016410	6&6	
44	SMALL OPEN RUBBER SLEEVE	5ASV-350010-5000	2&2	
45	CLAMP	30603-125020	10&12	
46	STOP VALVE	5HYR-355600-1K00	1&1	
47	STOP VALVE BRACKET	5HYR-355610-1K00	1&1	
48	CLIP	CFCV-CBC006-2000-M1	1&1	
49	THERMOSTAT SEAT	0JYJ-022012-1000	1&1	
50	BOLT M6x65	0SQV-022105-1000	2&2	



# ACCESSORY SETUP INSTRUCTION

**HEATING SYSTEM ASSEMBLY-- PN: 5HYR-802000-1K00, 5SYB-802000-6A00**

**VALID FOR:2024 CF1000UU**

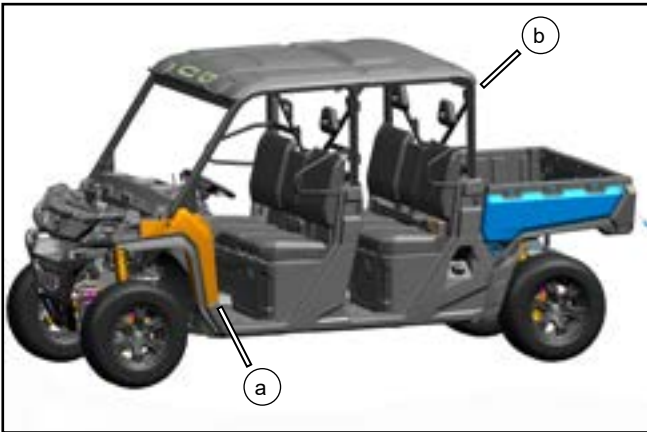
## TOOL LIST:

ITEM	PART NAME	PART NUMBER	QTY.	DESCRIPTION
1	HOLE OPENER $\phi$ 28	5HYR-802000-1K00-20	1	Recommended tools, which are not included in the package.
2	HOLE OPENER $\phi$ 32	5HYR-802000-1K00-21	1	
3	SOCKET 13mm	/	1	
4	INNER SIX HEXAGON s4	/	1	
5	SOCKET 10mm	/	1	
6	PHILIPS SCREWDRIVER	/	1	
7	SOCKET 18mm	/	1	
8	ELECTRIC WRENCH	/	1	
9	OPEN-END WRENCH 11-13mm	/	1	
10	OPEN-END WRENCH 8-10mm	/	1	
11	OPEN-END WRENCH 12-14mm	/	1	
12	SOCKET 8mm	/	1	
13	FLAT BLADE SCREWDRIVER	/	1	
14	CLAMP CALIPER	/	1	
15	DRILL M8	/	1	
16	LUBRICATION FLUID	/	1	
17	CUTTER	/	1	
18	DIAGONAL CUTTING PLIER	/	1	
19	PROTECTIVE GLOVES	/	1	

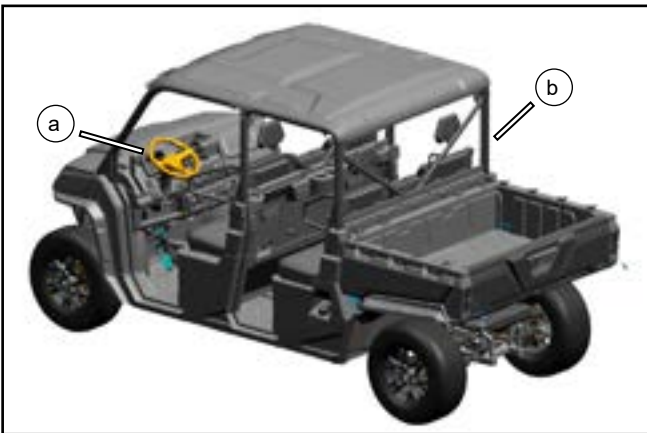
## ASSEMBLY and INSTALLATION



// Remove the cab cover (a) from the vehicle body (b).

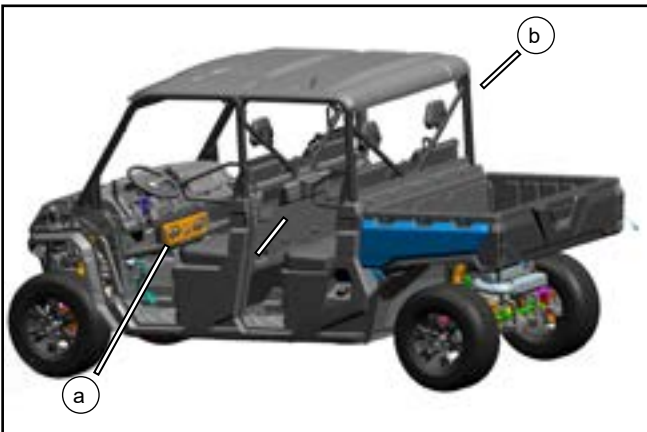


// Remove the deco cover of driver & passenger side (a) from the vehicle body (b).



// Remove the steering wheel (a) from the vehicle body (b).

**i** Remove the shell on the steering wheel, loosen the steering wheel nut to take out the steering wheel.



// Remove the dashboard glove box cover (a) from the vehicle body (b).

**ASSEMBLY and INSTALLATION**



// Remove the lower panel (a) from the vehicle body (b).  
 A total of 13 parts.

**i** // Seven self-tapping ST4.2×13 screws, six hexagon flange M6×12 bolts.

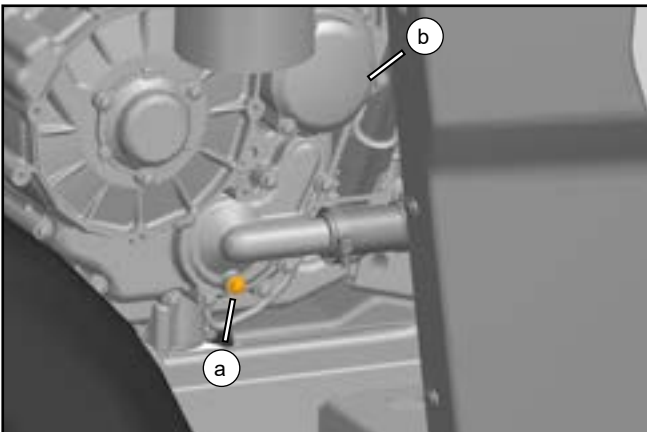


// Remove the gearshift ball head (a) from gearshift lever (b).



// Remove the dashboard upper body (a) from the vehicle body (b).

**i** - Before removing the dashboard upper body, the dashboard and switches need to be removed. The dashboard and switches are in a clamping structure. After pulling out the switches and dashboard, the connected cables need to be pulled out.

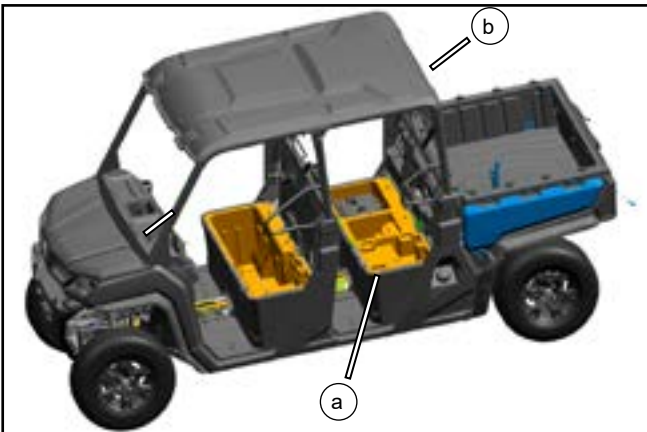


// Remove the bolt (a) from the engine (b), drain out the coolant, then tighten the bolt (a) to engine (b).

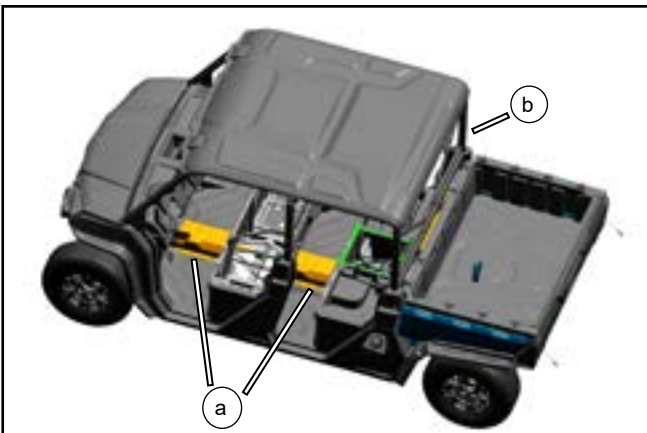
## ASSEMBLY and INSTALLATION



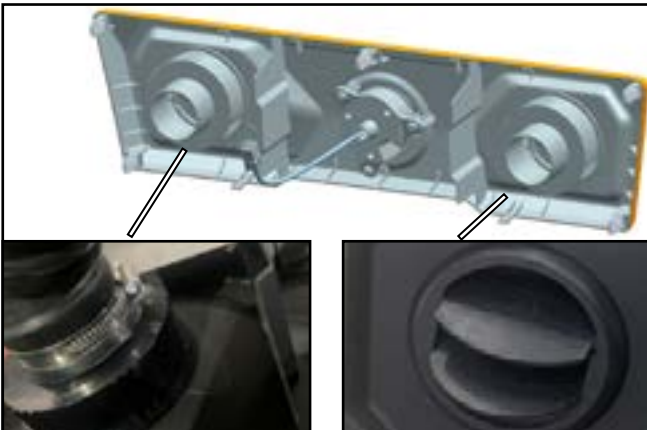
// Remove the seat (a) from the vehicle body (b).



// Remove the plastic assy (a) from the lower part of seat and ECU plug from the vehicle body (b).



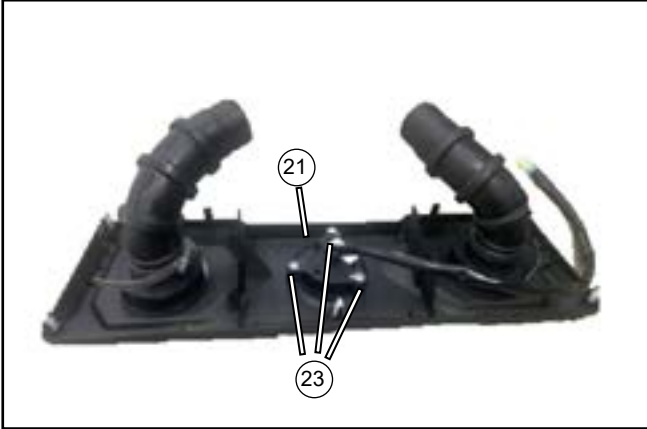
// Remove the pedal service cover (a) from the vehicle base plate (b).



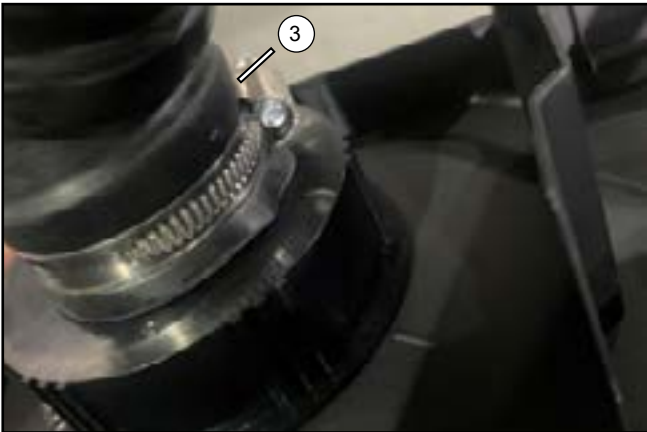
// Pass the front side of the outlet port front to back through the heater panel. Tighten the back side of the outlet port with its front side by hand and secure it on the heater panel.



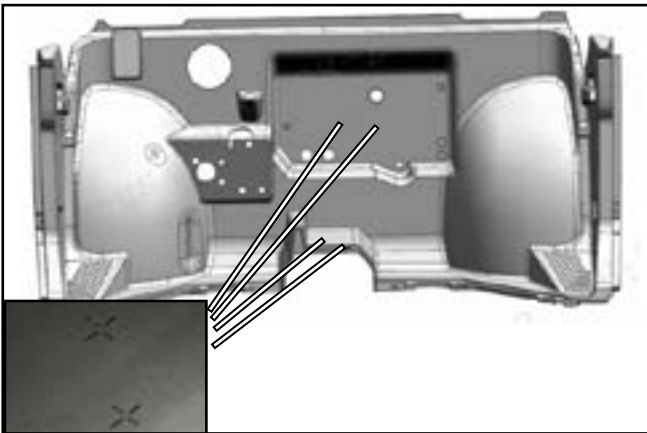
## ASSEMBLY and INSTALLATION



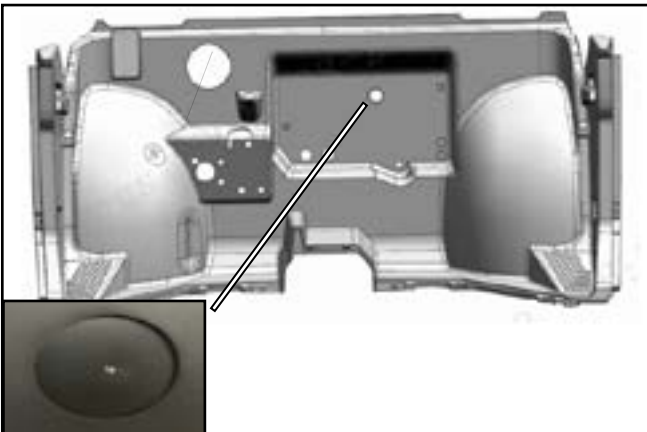
// Tighten the heating temperature switch (21) to the heater panel with self-tapping screws ST4.8x13 (23).



// Secure the air heater outlet pipe (3) to the outlet port with the clamp d60, use the fastening tool to tighten the bolt of the clamp d60.

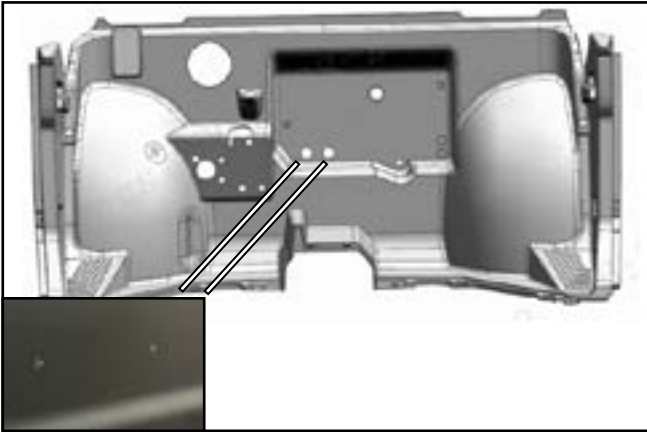


// Drill four holes at the marked points of the front fender with a drill M8.

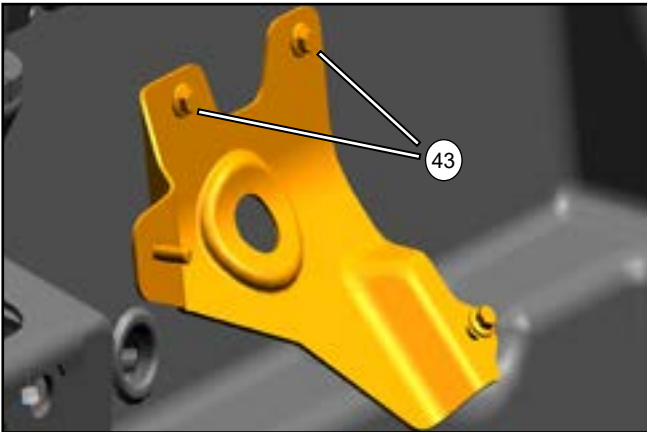


// Use  $\phi 32$  hole opener to make one hole for the heating cable at the marked point on the front fender.

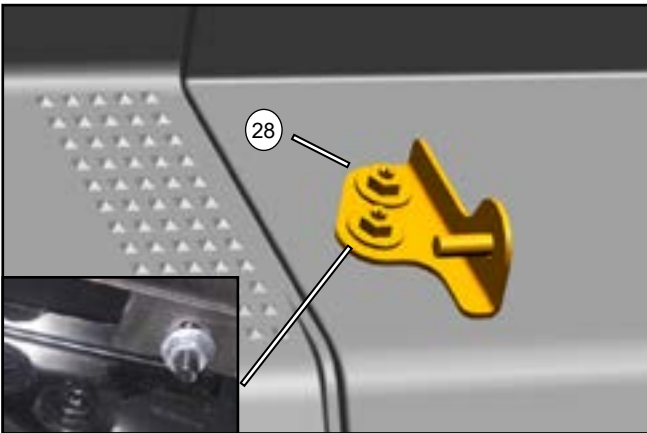
## ASSEMBLY and INSTALLATION



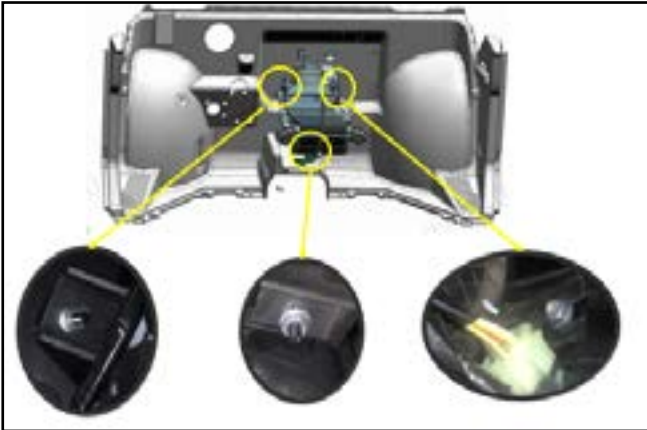
// Use  $\phi 28$  hole opener to make two holes for water pipes at the marked point on the front fender.



// Install the heater upper bracket to the frame with two bolts 6x20 (43), and fasten the bolts.



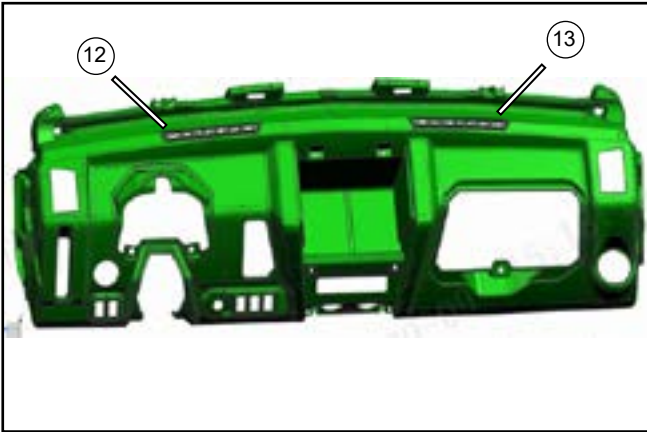
// Install the heater lower bracket to the front fender with two inner hexagon bolts M6x20 (28) and nuts (39), use the fastening tool and open-end wrench to tighten the bolts.



// Pre-hang the heater assembly on the heater upper bracket, secure its left-side positioning point on the upper bracket with 1 nut (39), and secure its lower-side positioning point on the heater lower bracket with 1 nut(39) and washer (38).

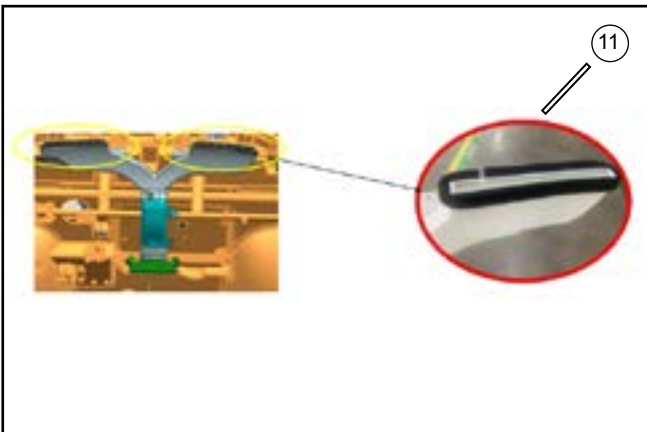


**ASSEMBLY and INSTALLATION**

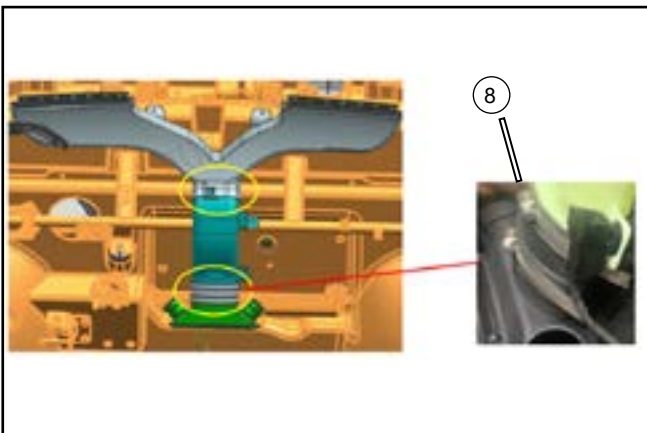


// Secure the driver side front outlet (12) and the passenger side front outlet (13) to the dashboard upper body (a).

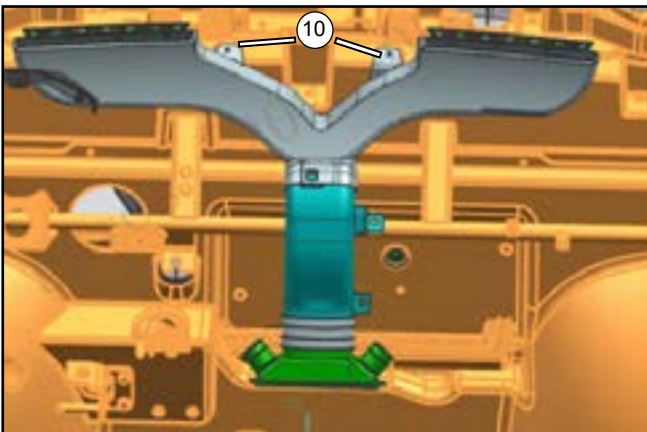
**i** Cut off the mounting holes of the driver and passenger side front outlet with cutter.



// Paste the front outlet tape (11) on the air line. The picture shows it should align with the upper edge.

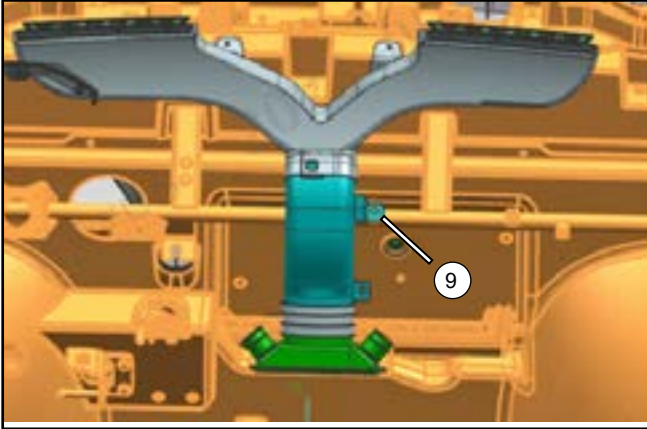


// Connect the air line (1), the air heater pipe (2), and the air heater pipe connector (4) together. Put two A-type screw clamp 78-101 (8) on the connector, then connect the air heater pipe to the air heater outlet port without tightening it first.

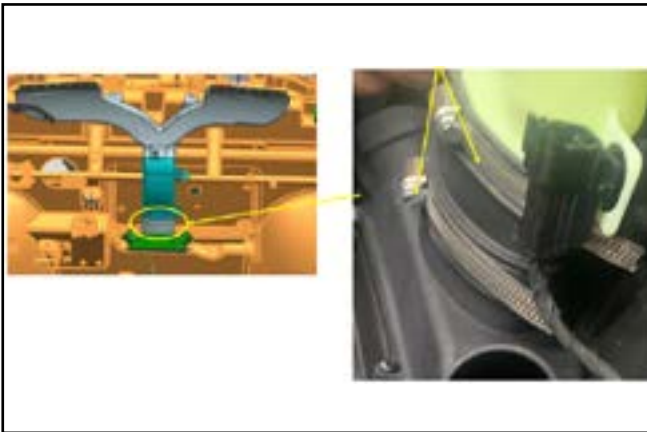


// Secure two self-tapping screws (10) on the front inner lock panel at the positioning points as shown in the picture.

## ASSEMBLY and INSTALLATION



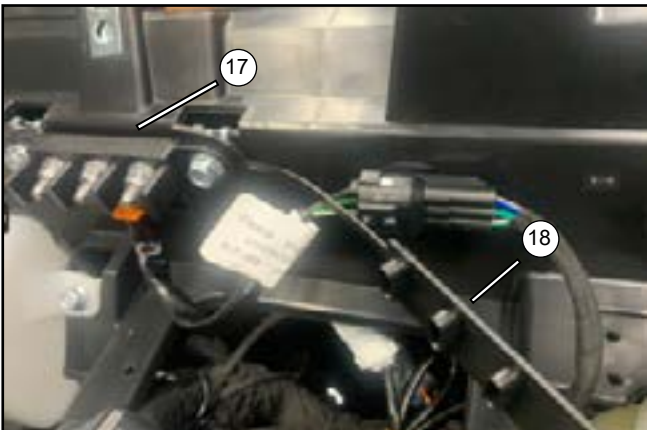
// Secure with one bolt M6x14 (9).



// Secure the bolt of the clamp with the fastening tool.

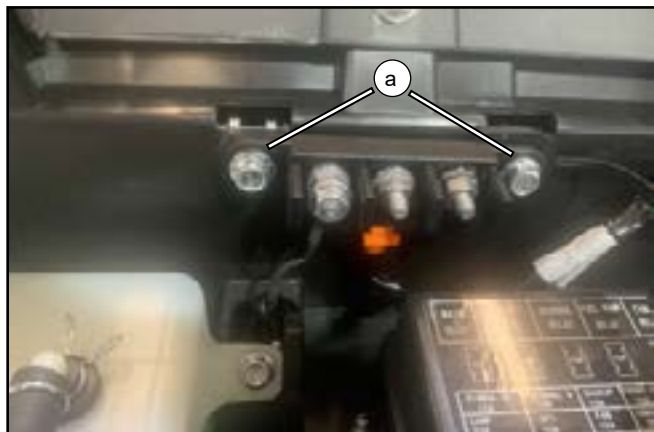


// Secure the heating switch plug (b) and the heating temperature switch plug (a) to the air line.



// Put the extension power terminal cap (18) on the extension power terminal (17).

## ASSEMBLY and INSTALLATION



// Secure the extension power terminal to the front inner lock panel with the bolt (a) tightened by the fastening tool.



// Secure the extension power terminal cap (18) on the extension power terminal.

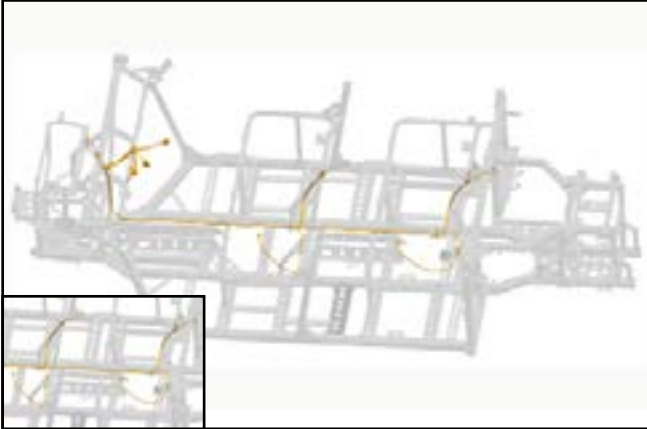


// Secure the extension power plug (a) to the front inner lock panel.

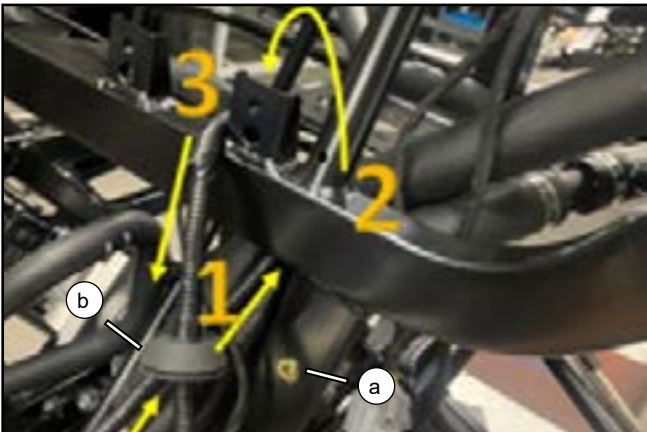


// Install the heating cable.

## ASSEMBLY and INSTALLATION

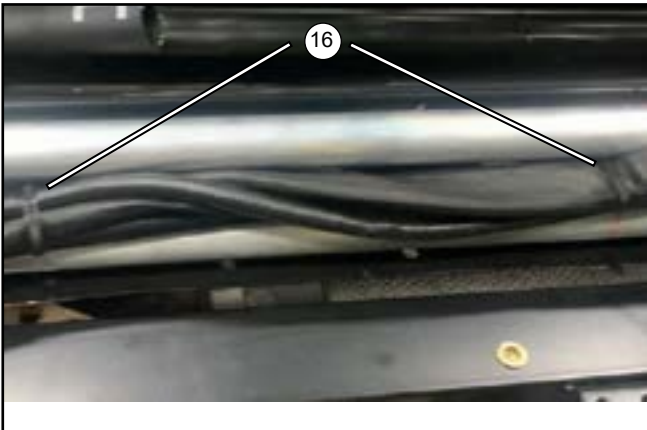


// Arrange the cable as shown in the picture. Arrange the middle section of the heating cable with the winch cable. The ground and the positive branch are arranged on the right side, and the branch of the stop valve is arranged on the left side, and the stop valve connect to the end point.

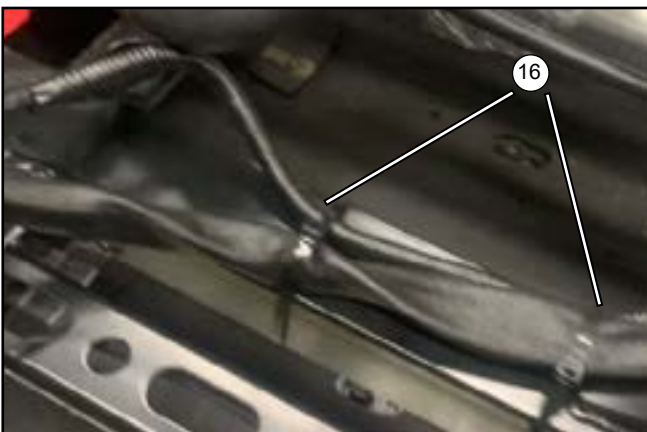


// In the front end of the heating cable, first hang the heating cable on the frame tube according to the direction of the yellow arrow as shown in the picture.

**i** The cable rubber sleeve (b) should be flush with the yellow embedded nut (a).



// In the middle and front sections of the heating cable, secure the heating cable and the winch cable with tie band (16) and cut off the excess part with diagonal cutting plier.



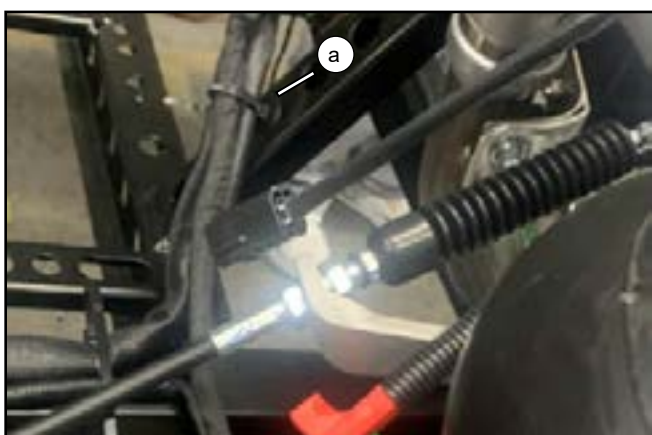
// In the middle and rear sections of the heating cable, secure the heating cable and the winch cable with tie band (16) and cut off the excess part with the diagonal cutting plier.



## ASSEMBLY and INSTALLATION



// Arrange the cable as indicated by the arrow at the bifurcation of the rear section of the heating cable.



// Secure the right branch of the heating cable, the winch cable and the main cable with the threaded tie band (a) and cut off the excess part with the diagonal cutting plier.



// Secure the left branch of the heating cable and the main cable with the threaded tie band (a) and cut off the excess part with the diagonal cutting plier.



// Secure the left branch of the heating cable and the main cable with the same coil.

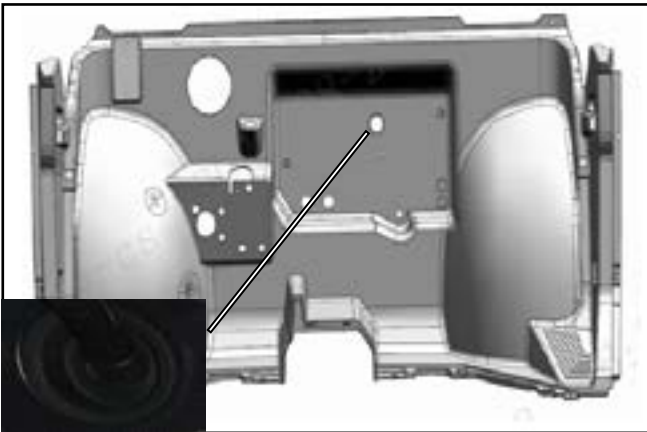
## ASSEMBLY and INSTALLATION



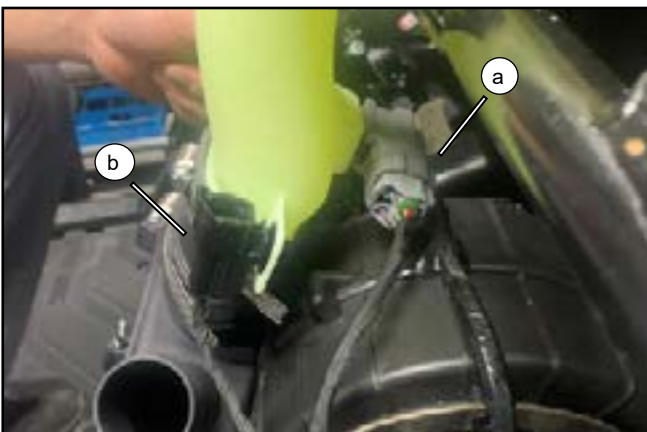
// Secure the red ground wire of the heating cable and other red ground wires to the positive electrode.



// Secure the green ground wire of the heating cable together with other red ground wires.



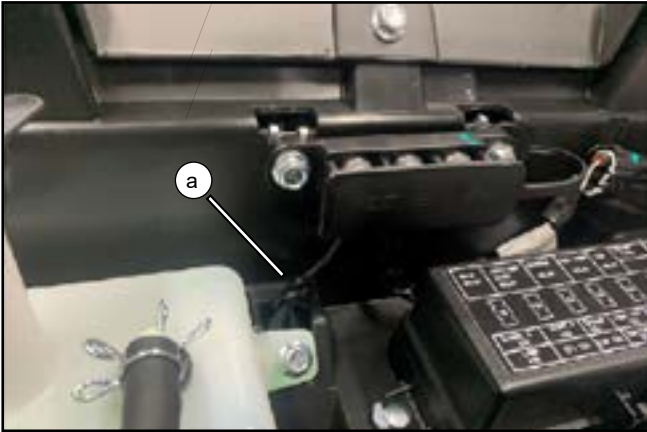
// Pass the heating cable through the open hole of the front fender to the cab, and insert the rubber ring of the heating cable into the front fender hole to ensure sealing.



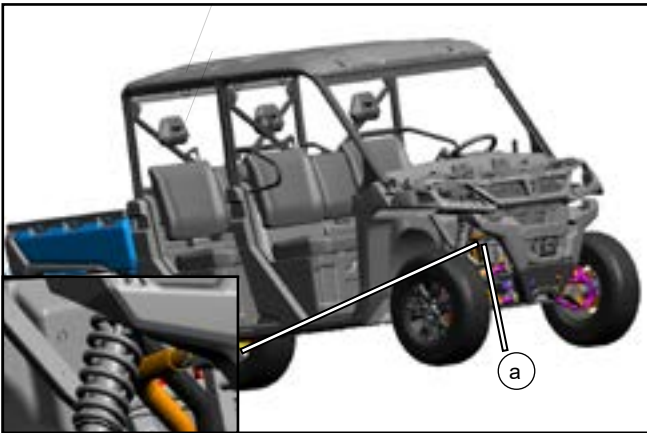
// Secure the heating switch plug clip(a) and the temperature switch plug clip(b) on the air line.



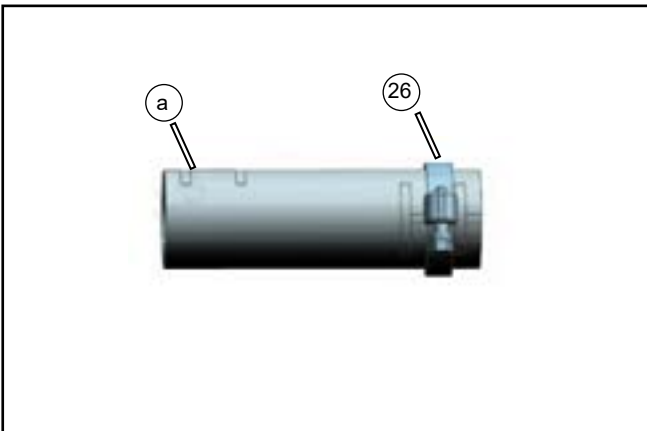
## ASSEMBLY and INSTALLATION



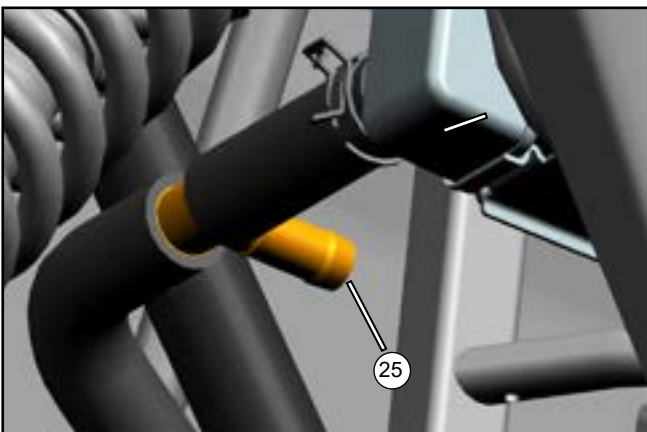
// Pass the branch of the ground at the front of the heating cable through (a) and connect it to the ACC port with the wire clip fastened.



// Cut the radiator outlet pipe (a) at the white mark of the water pipe with a cutter.

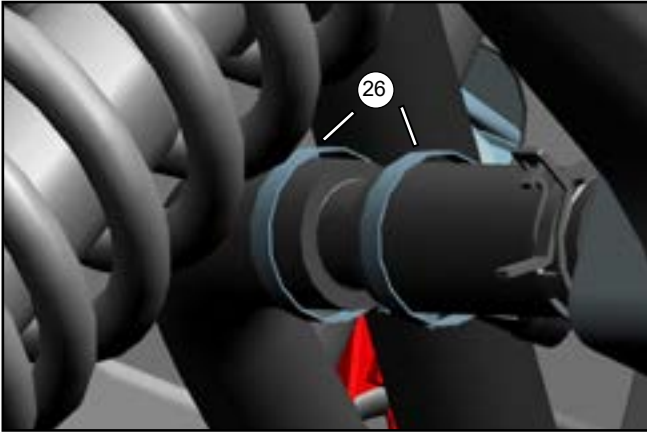


// Secure the water hose clamp (26) to the radiator outlet pipe (a).

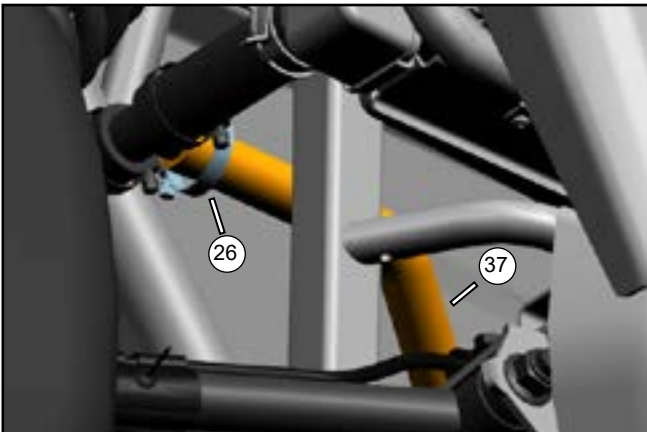


// Connect the radiator water outlet pipe (a) with T-joint (25).

## ASSEMBLY and INSTALLATION



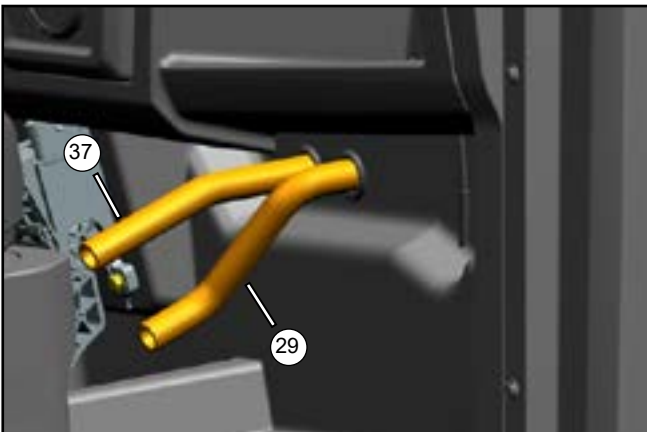
// Tighten the bolt of the water hose clamp (26) with fastening tool.



// Secure the air heater outlet pipe (37) with the water hose clamp (26).

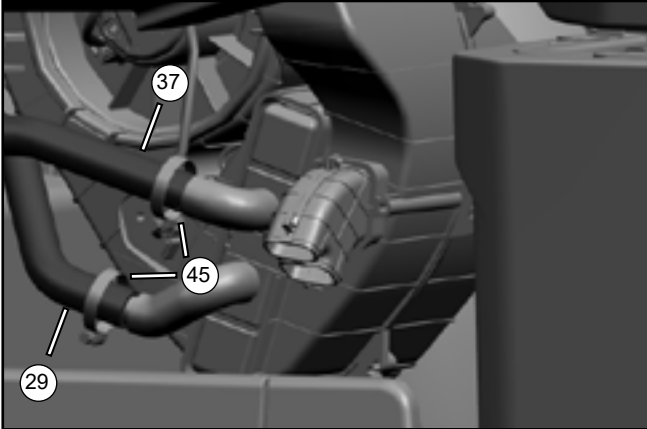


// Insert the small opening rubber sleeves (44) into the pre-opening position.

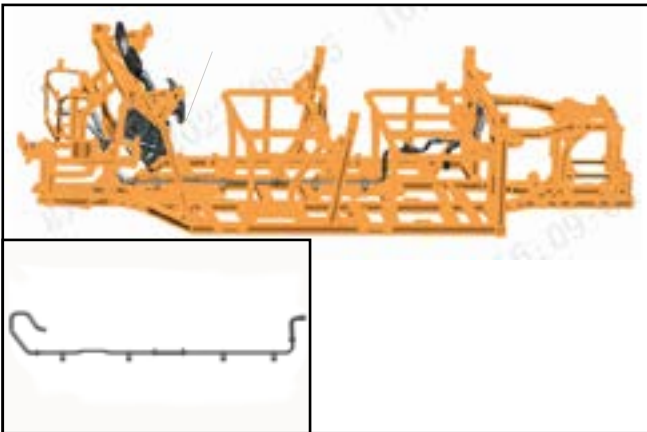


// Pass the air heater outlet pipe (37) and the heating inlet pipe 1 (29) through the reserved holes.

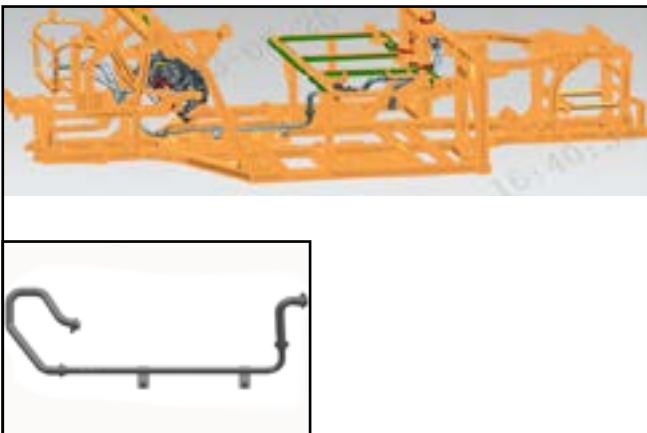
## ASSEMBLY and INSTALLATION



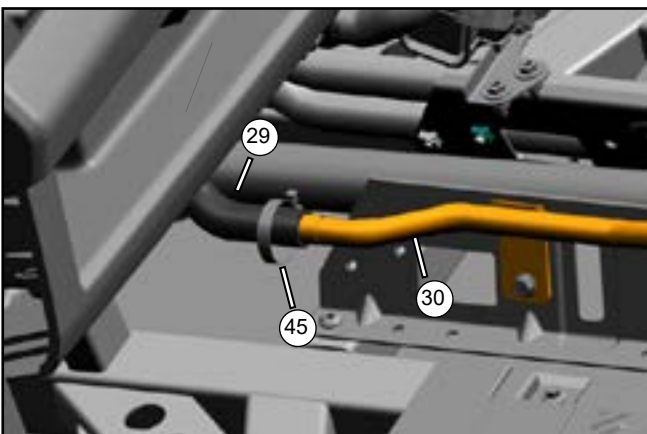
// Secure the air heater outlet pipe (37) and the heating inlet pipe 1 (29) to the heater assembly with the clamp (45).



// Arrange the heating pipe assy as shown in the picture. (two-row vehicle)

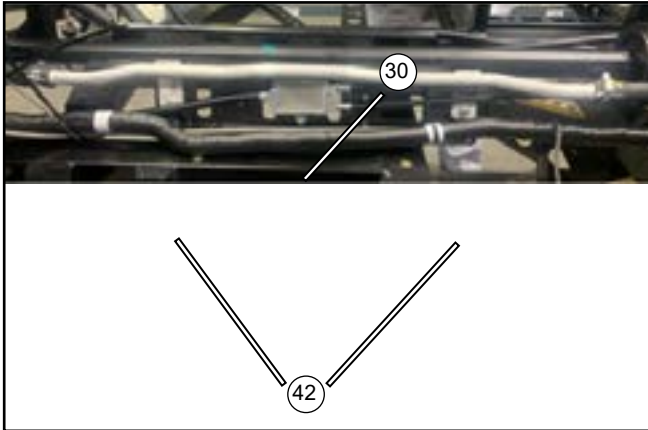


// Arrange the heating pipe assy as shown in the picture. (single-row vehicle)

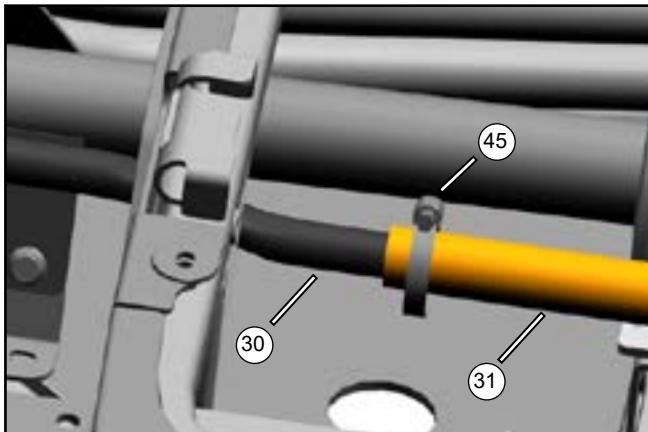


// Connect the heating inlet pipe 1 (29) and the heating inlet pipe 2 (30) with the clamp (45), use the fastening tool to tighten the bolt of the clamp.

## ASSEMBLY and INSTALLATION

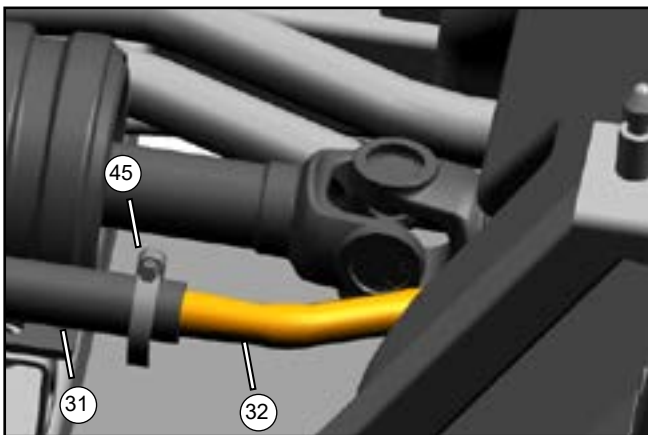


// Secure the heating inlet pipe 2 (30) to the frame with the screw assy (42).



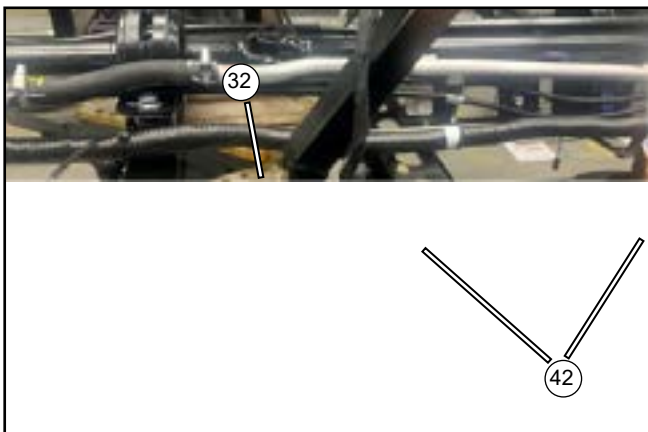
// Connect the air heater inlet pipe 3 (31) and the heating inlet pipe 2 (30) with the clamp (45), use the fastening tool to tighten the bolt of the clamp.

**i** This step is not required for single-row vehicle.



// Connect the air heater inlet pipe 3 (31) and the air heater inlet pipe 4 (32) with the clamp (45), use the fastening tool to tighten the bolt of the clamp.

**i** This step is not required for single-row vehicle.



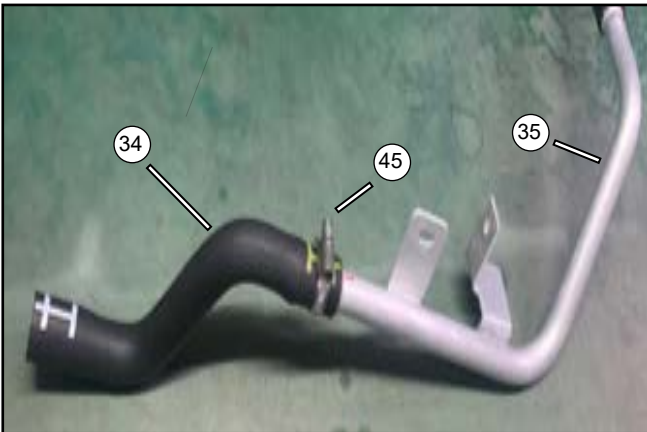
// Secure the air heater inlet pipe 4 (32) to the frame with the screw assy (42).

**i** This step is not required for single-row vehicles.

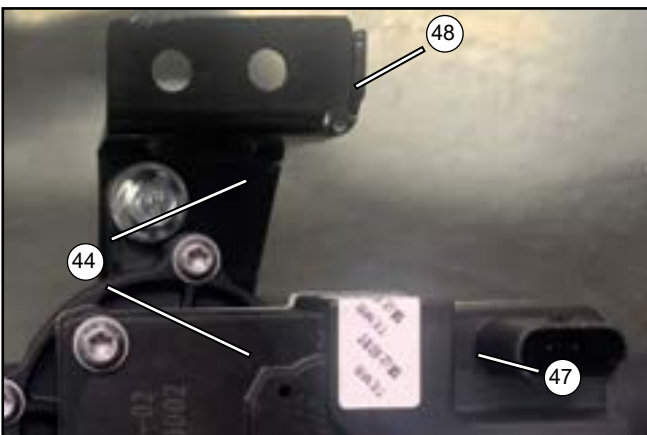
## ASSEMBLY and INSTALLATION



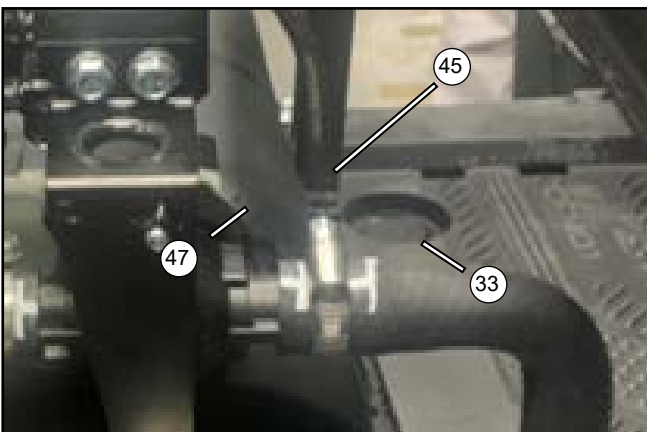
// Secure the clamp (45) on the air heater inlet pipe 4 (32) and connect it to the air heater inlet pipe (33), then use the fastening tool to tighten the bolt of the clamp.



// Connect the air heater inlet pipe 8 (34) and the air heater inlet pipe 7 (35) with the clamp (45), use the fastening tool to tighten the bolt of the clamp.



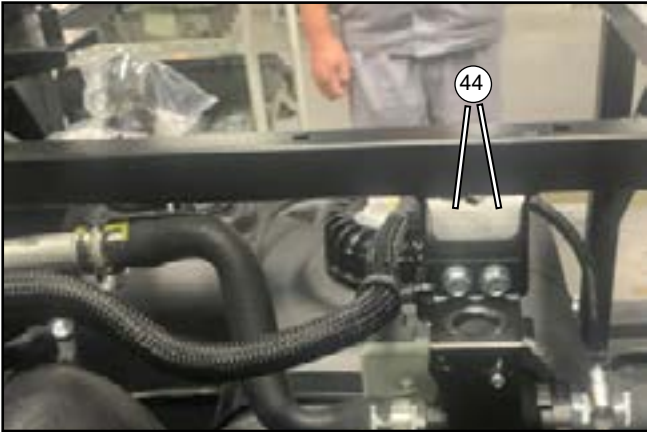
// Tighten the stop valve bracket (48) and the stop valve (47) with the bolt (44).



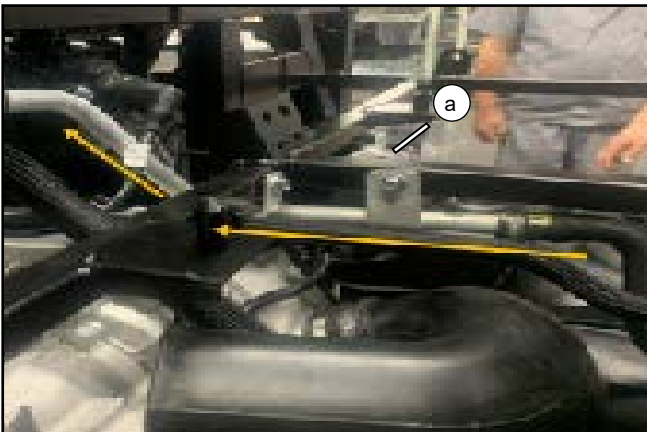
// Secure the clamp (45) on the heating inlet pipe and connect the air heater inlet pipe (33) to the stop valve(47), then use the fastening tool to tighten the bolt of the clamp.



## ASSEMBLY and INSTALLATION



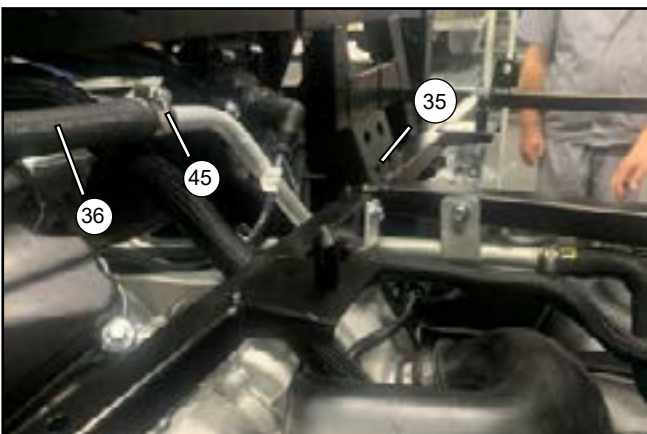
// Install the stop valve assy on the seat bracket with the bolt (44) tightened.



// Install the rear section of the heating pipe assy (a) on the seat bracket with the bolt tightened. Arrange the water pipe in the direction of the arrow.



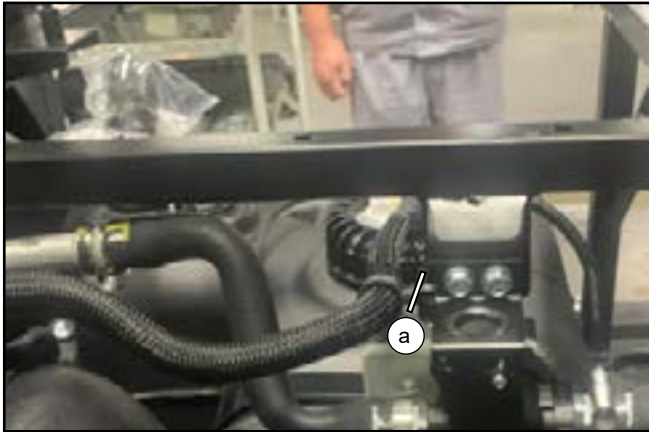
// Secure the heating pipe to the stop valve port with the clamp (45).



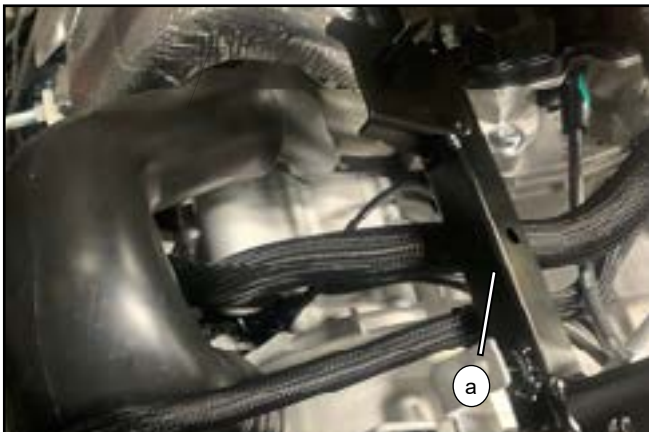
// Secure the clamp (45) on the heating pipe and connect the rear of the heating pipe assy (36) to the air heater inlet pipe (35), then use the fastening tool to tighten the bolt of the clamp.



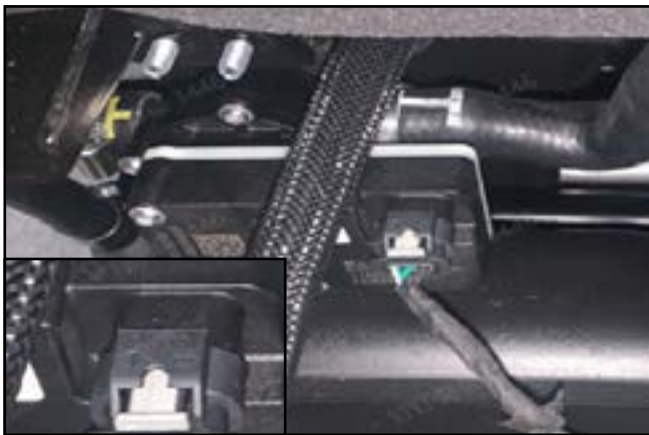
## ASSEMBLY and INSTALLATION



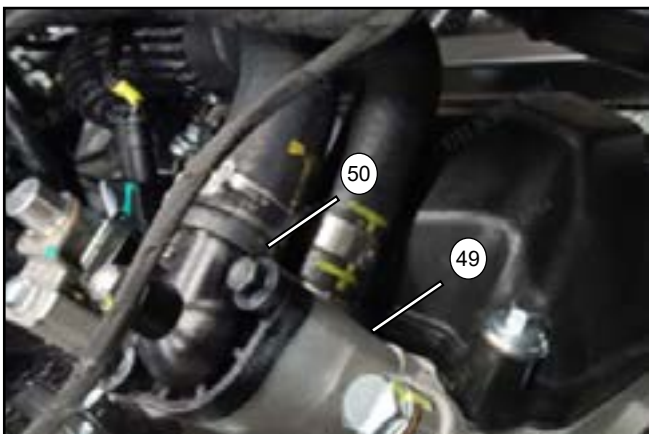
// Secure the clip of high-pressure oil pipe (a) to the hole of the stop valve bracket.



// Secure the clip of high-pressure oil pipe (a) to the hole of the seat bracket.

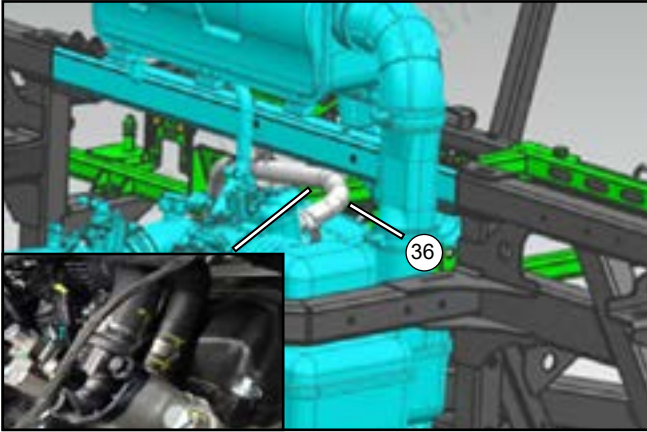


// Insert the stop valve branch plug of the heating cable into the stop valve, and press to lock.

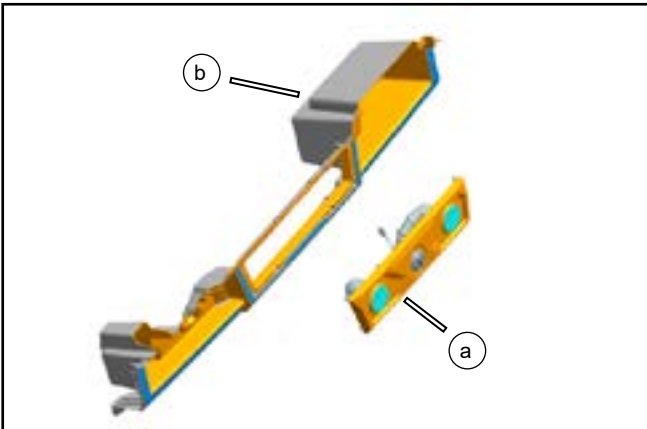


// Remove the thermostat seat (49), fasten it with bolt (50).

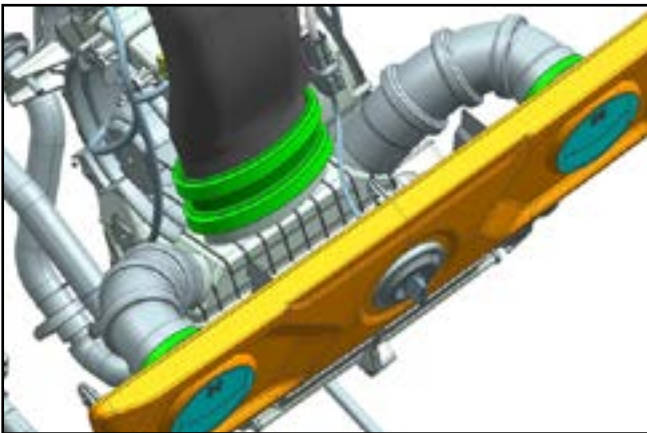
## ASSEMBLY and INSTALLATION



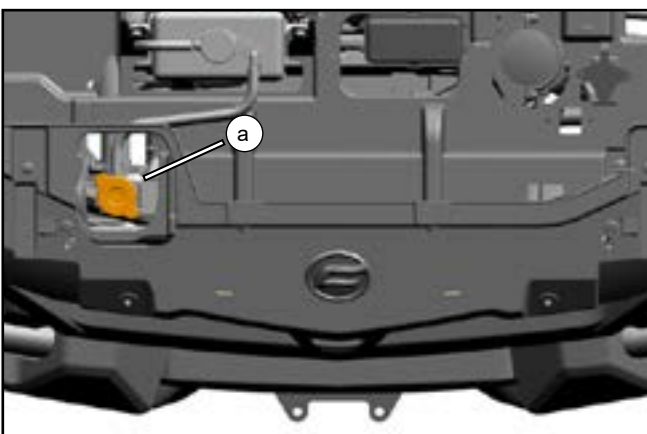
// Secure the air heater inlet pipe 8 (36) to the lower port of the engine thermostat seat (49) with the clamp, use the fastening tool to tighten the clamp bolt.



// Install the heater panel assy (a) on the dashboard lower body (b), and press the five clasps into the positioning point of the dashboard lower body.



// Connect the air heater pipe to the outlet port of the heater assembly, and clamp the temperature regulation cable tightly.



// Open the coolant inlet (a) and fill 4.5-4.7L coolant.

**i** - When filling the coolant, it is best to loosen the air-bleed bolt on the engine thermostat cap to exhaust the air.

## ASSEMBLY and INSTALLATION



// Install other removed parts in place and complete the assembly.

**i** -Follow the above steps to complete the assembly.